

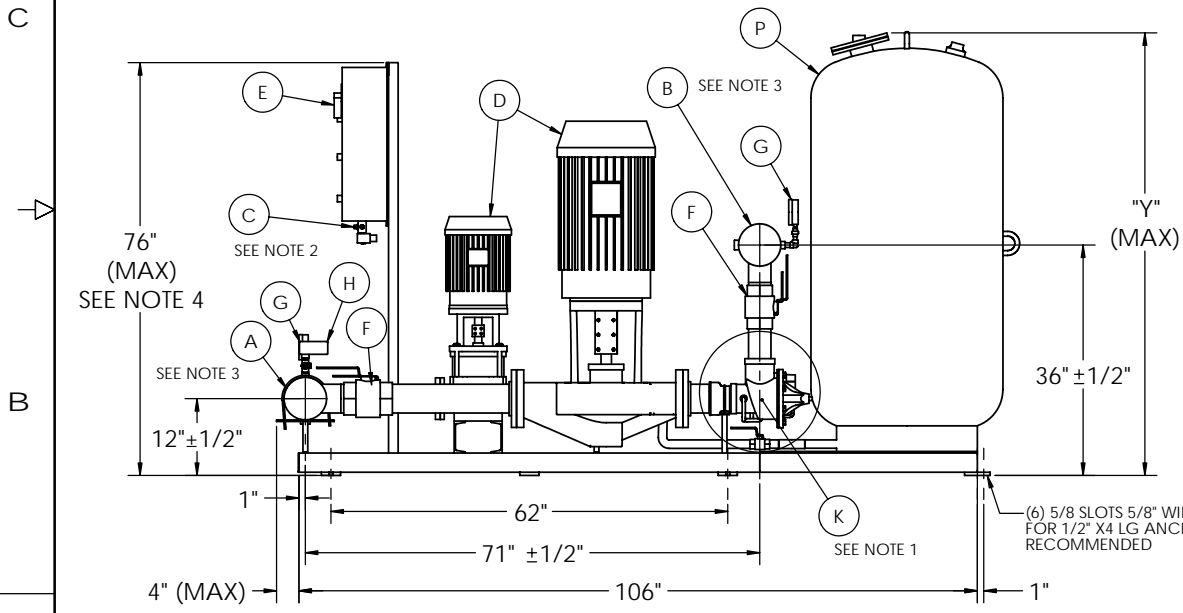
TANK OPTIONS			
BLADDER TANK	RATING (PSI)	CAPACITY USG	DIMENSION "Y"
AFV-200	150	53	44
AFV-300		80	52
AFV-450	(NON-ASME)	119	56
400L		106	60
500L	125	132	64
600L	(ASME)	158	58
800L		211	66
700L	200	185	86
	(ASME)		

- NOTES**
- Item 'K' (PRV) is standard. If item 'L' (check valve) is required please indicate selection
 - 'C' (1/4" NPT) Provided on continuous run systems only. To be connected to drain by others.
 - Booster is supplied with standard roll groove for A & B headers suitable for victaulic type or equivalent flanges (supplied by others). If Armstrong is to supply flanges, please indicate flange pressure rating required.
 - Consult Drawing 2400-000 for Variable Speed Drive (VFD) controller dimensions.
 - Type L copper is suitable for 175 PSI, Type K copper is suitable for 300 PSI.

Maximum System Pressure: 175 PSI 300 PSI

HEADER SIZE	
<input type="checkbox"/>	3" IPS PIPE 304 S.S.
<input type="checkbox"/>	4" IPS PIPE 304 S.S.
<input type="checkbox"/>	6" IPS PIPE 304 S.S.
<input type="checkbox"/>	3" TUBE (COPPER ASTM B-88) TYPE L/K
<input type="checkbox"/>	4" TUBE (COPPER ASTM B-88) TYPE L/K
<input type="checkbox"/>	6" TUBE (COPPER ASTM B-88) TYPE L/K

- COMMENTS**
- Drawing 2402-301 is applicable for VIL Pumps with suction size up to 4", 30 HP @ 3600 RPM, and nominal impeller diameters up to 10". For other sizes consult factory for new drawing.
 - For other Inlet/Outlet orientations consult factory for new drawing.
 - Dimensions are based on factory choice standard components. For other than standard consult factory for new drawing.
 - Tolerances are (+/-) 1/2" unless otherwise specified.
 - All dimensions are in inches.



A	SUCTION CONNECTION	H	AQUASTAT (TEMPERATURE PROBE)
B	DISCHARGE CONNECTION	J	RUBBER ISOLATING CUSHION
C	SOLENOID VALVE (1/4" NPT)	K	PRESSURE REDUCING VALVE (PRV)
D	PUMP & MOTOR	L	CHECK VALVE ONLY
E	CONTROL PANEL	M	CHECK VALVE
F	BRONZE BALL VALVE	N	TEE
G	PRESSURE GAUGE	P	DRAWDOWN TANK

DO NOT SCALE

DRAWN BY	SP	DATE	11/29/03	ARMSTRONG PUMPS INC. NORTH TONAWANDA, NY 14120 DRAWING TITLE 6730 - TRIPLEX DOMESTIC WATER BOOSTER
CHECK	GB	DATE	06/07/04	
ENGINEERING				
QUALITY ASSURANCE				
MANUFACTURING				SIZE C
		DRAWING NUMBER		REV.
		2402-301		A
SCALE: NTS		WEIGHT:	SHEET: 1 OF 1	