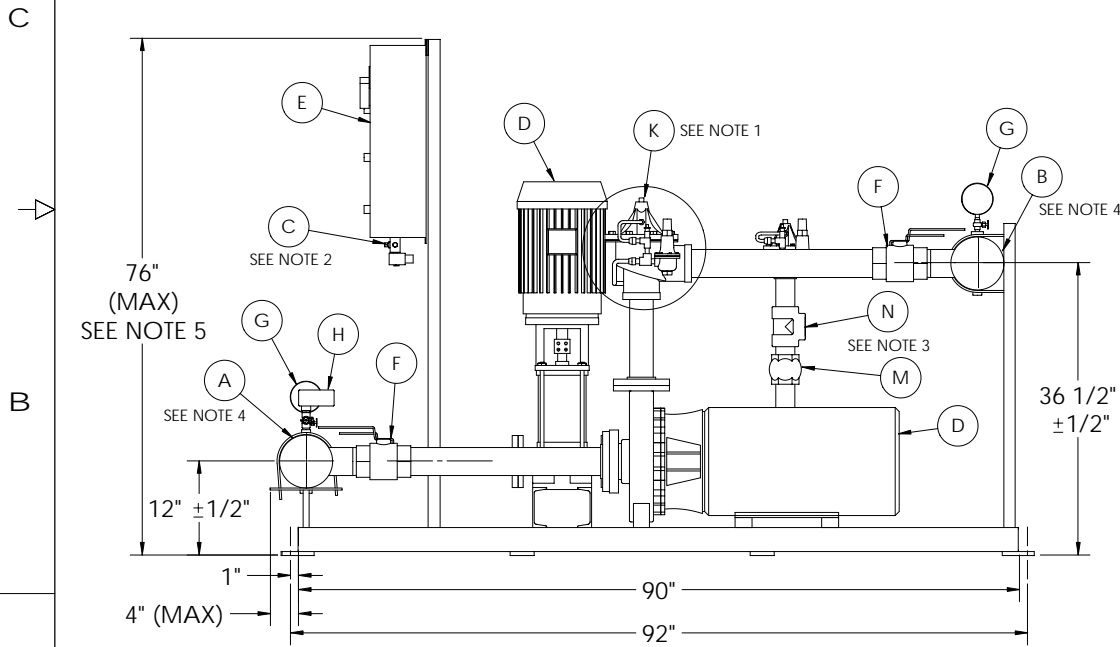


INCLUDED
 PRV CHECK VALVE

HEADER SIZE	"X"
3" IPS PIPE 304 S.S.	85 7/16"
4" IPS PIPE 304 S.S.	84 15/16"
6" IPS PIPE 304 S.S.	83 7/8"
3" TUBE (COPPER ASTM B-88) TYPE L/K	85 5/8"
4" TUBE (COPPER ASTM B-88) TYPE L/K	85 1/8"
6" TUBE (COPPER ASTM B-88) TYPE L/K	84 1/8"



NOTES

- Item 'K' (PRV) is standard. If item 'L' (check valve) is required please indicate selection.
- 'C' (1/4" NPT) Provided on continuous run systems only. To be connected to drain by others.
- 'M' & 'N' are provided on systems with adjacent mounted drawdown tanks.
- Booster is supplied with standard roll groove for A & B headers suitable for victaulic type or equivalent flanges (supplied by others).
If Armstrong is to supply flanges, please indicate flange pressure rating required.
- Consult drawing 2400-000 for variable speed drive (VFD) controller dimensions.
- Type L copper is suitable for 175 PSI, Type K copper is suitable for 300 PSI.

Maximum System Pressure: 175 PSI 300 PSI

COMMENTS

- Drawing 2406-201 is applicable for 4280 pumps with suction size up to 4", 30 HP@ 3600 RPM and nominal impeller diameters up to 10"
- For other sizes consult factory for new drawing.
- For other Inlet/Outlet orientations consult factory for new drawing.
- Dimensions are based on factory choice standard components.
- For other than standard consult factory for new drawing.
- Tolerances are (+/-) 1/2" unless otherwise specified.
- All dimensions are in inches.

A	SUCTION CONNECTION	H	AQUASTAT (TEMPERATURE PROBE)
B	DISCHARGE CONNECTION	J	RUBBER ISOLATING CUSHION
C	SOLENOID VALVE (1/4" NPT)	K	PRESSURE REDUCING VALVE (PRV)
D	PUMP & MOTOR	L	CHECK VALVE ONLY
E	CONTROL PANEL	M	CHECK VALVE (SEE NOTE 3)
F	BRONZE BALL VALVE	N	TEE (SEE NOTE 3)
G	PRESSURE GAUGE		

DO NOT SCALE

DRAWN BY	SP	DATE	07/12/03	ARMSTRONG PUMPS INC. NORTH TONAWANDA, NY 14120 DRAWING TITLE 6730 - TRIPLEX DOMESTIC WATER BOOSTER
CHECK	GB	DATE	06/07/04	
ENGINEERING				
QUALITY ASSURANCE				
MANUFACTURING				SIZE: C DRAWING NUMBER: 2406-200 REV.: B
SCALE:	NTS	WEIGHT:		SHEET: 1 OF 1