

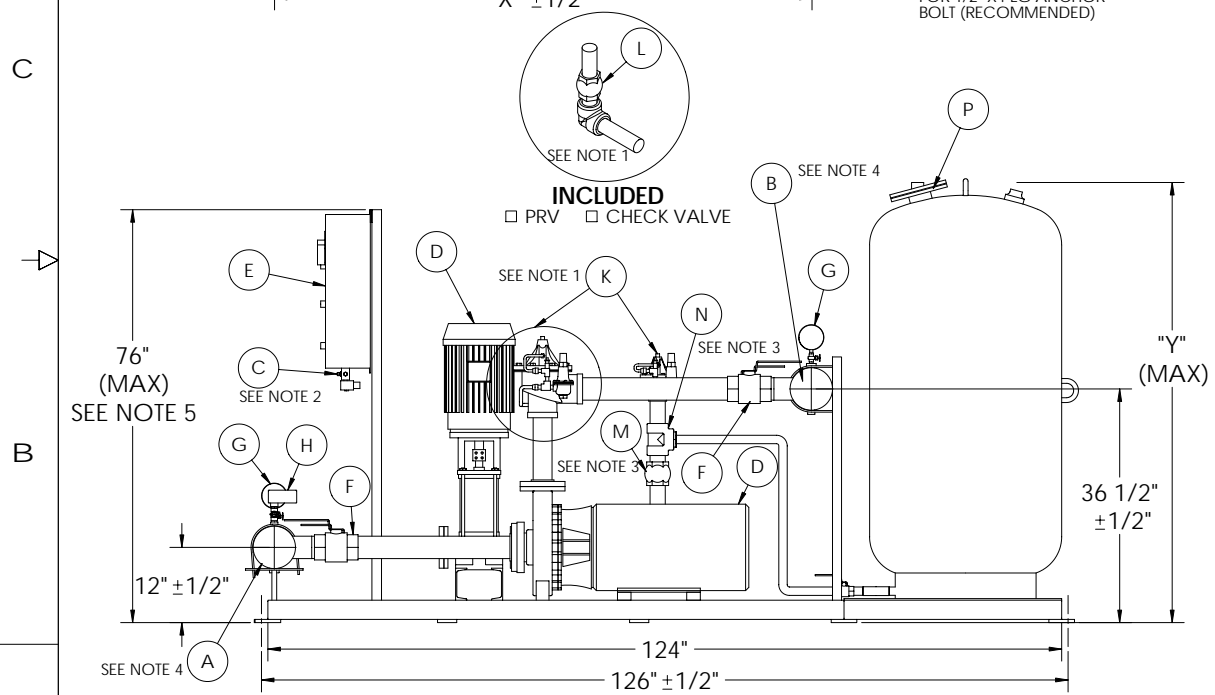
HEADER SIZE	"X"
3" IPS PIPE 304 S.S.	85 7/16"
4" IPS PIPE 304 S.S.	84 15/16"
6" IPS PIPE 304 S.S.	83 7/8"
3" TUBE (COPPER ASTM B-88) TYPE L/K	85 5/8"
4" TUBE (COPPER ASTM B-88) TYPE L/K	85 1/8"
6" TUBE (COPPER ASTM B-88) TYPE L/K	84 1/8"

- NOTES**
- Item 'K' (PRV) is standard. If item 'L' (check valve) is required please indicate selection.
  - 'C' (1/4" NPT) Provided on continuous run systems only. To be connected to drain by others.
  - 'M' & 'N' are provided on systems with adjacent mounted drawdown tanks.
  - Booster is supplied with standard roll groove for A & B headers suitable for victaulic type or equivalent flanges (supplied by others). If Armstrong is to supply flanges, please indicate flange pressure rating required.
  - Consult drawing 2400-000 for variable speed drive (VFD) controller dimensions.
  - Type L copper is suitable for 175 PSI, Type K is suitable for 300 PSI.

Maximum System Pressure:  175 PSI  300 PSI

- COMMENTS**
- Drawing 2406-300 is applicable for 4280 pumps with suction size up to 4", 30 HP@ 3600 RPM . For other sizes consult factory for new drawing.
  - For other Inlet/Outlet orientations consult factory for new drawing.
  - Dimensions are based on factory choice standard components. For other than standard consult factory for new drawing.
  - Tolerances are (+/-) 1/2" unless otherwise specified.
  - All dimensions are in inches.

TANK OPTIONS			
BLADDER TANK	RATING (PSI)	CAPACITY USG	DIMENSION "Y"
AFV-200	150	53	44
AFV-300		80	52
AFV-450		119	56
400L	125	106	60
500L		132	64
600L		158	58
800L		211	66
700L	200	185	86
	(ASME)		



**INCLUDED**  
 PRV  CHECK VALVE

A	SUCTION CONNECTION	H	AQUASTAT (TEMPERATURE PROBE)
B	DISCHARGE CONNECTION		RUBBER ISOLATING CUSHION
C	SOLENOID VALVE (1/4" NPT)	K	PRESSURE REDUCING VALVE (PRV)
D	PUMP & MOTOR	L	CHECK VALVE ONLY
E	CONTROL PANEL	M	CHECK VALVE (SEE NOTE 3)
F	BRONZE BALL VALVE	N	TEE (SEE NOTE 3)
G	PRESSURE GAUGE	P	DRAWDOWN TANK

DO NOT SCALE

DRAWN BY SP	DATE 07/12/03	ARMSTRONG PUMPS INC. NORTH TONAWANDA, NY 14120  DRAWING TITLE 6730 - TRIPLEX DOMESTIC WATER BOOSTER		
CHECK GB	DATE 06/07/04			
ENGINEERING				
QUALITY ASSURANCE				
MANUFACTURING		SIZE C	DRAWING NUMBER 2406-300	REV. B
SCALE: NTS		WEIGHT:	SHEET: 1 OF 1	