



**SERIES 5300
SEWAGE 5320
SUBMERSIBLE PUMP**

FILE No.:	53.532
DATE:	December 1, 1998
SUPERSEDES:	NEW
DATE:	NEW

SUBMITTAL

JOB: _____	REPRESENTATIVE: _____
_____	_____
_____	_____
ENGINEER: _____	ORDER No: _____ DATE: _____
CONTRACTOR: _____	SUBMITTED BY: _____ DATE: _____
	APPROVED BY: _____ DATE: _____

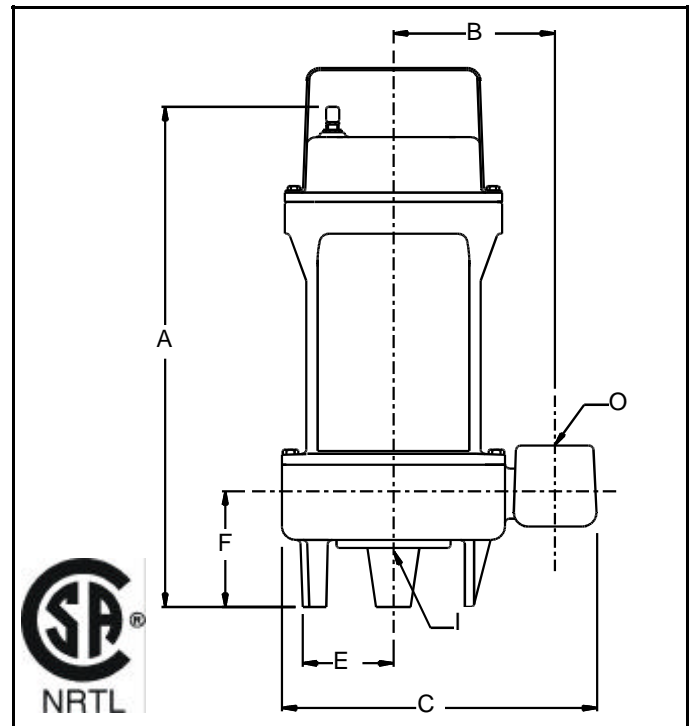
PUMP DESIGN DATA	
No. OF PUMPS:	
TAG:	
CAPACITY: USGPM (m ³ /h, l/s)	HEAD: (ft. m)
SOLIDS HANDLING:	UP TO 2" (51 MM)
APPROVAL:	CSA & NRTL

MOTOR DESIGN DATA	
RUN CAPACITOR BUILT IN (SINGLE PHASE ONLY)	
ENERGY EFFICIENT	
OIL FREE - ENVIRONMENTALLY FRIENDLY	
THERMAL OVERLOAD PROTECTED (SINGLE PHASE ONLY)	
POWER CORD:	21 FT. SJOW (SINGLE Ph) 21 FT. SOW (THREE Ph)
INSULATION CLASS:	CLASS F (311° F) FOR UP TO 1HP CLASS H (354° F) FOR 1 1/2 HP

MATERIALS OF CONSTRUCTION	
PUMP CASING	CAST IRON
IMPELLER:	CAST IRON - NON-CLOG OPEN VORTEX
SHAFT:	STAINLESS STEEL AISI 416
HARDWARE:	STAINLESS STEEL
SEAL:	1 VITON DOUBLE LIP SEAL 1 CARBON CERAMIC MECHANICAL
BEARINGS:	PERMANENTLY GREASED BALL BEARINGS

PUMP OPERATING CONDITIONS	
OPERATION:	<input type="checkbox"/> AUTOMATIC <input type="checkbox"/> MANUAL
OPERATING TEMPERATURE:	176°F - INTERMITTANT 104°F - CONTINUOUS

REMARKS



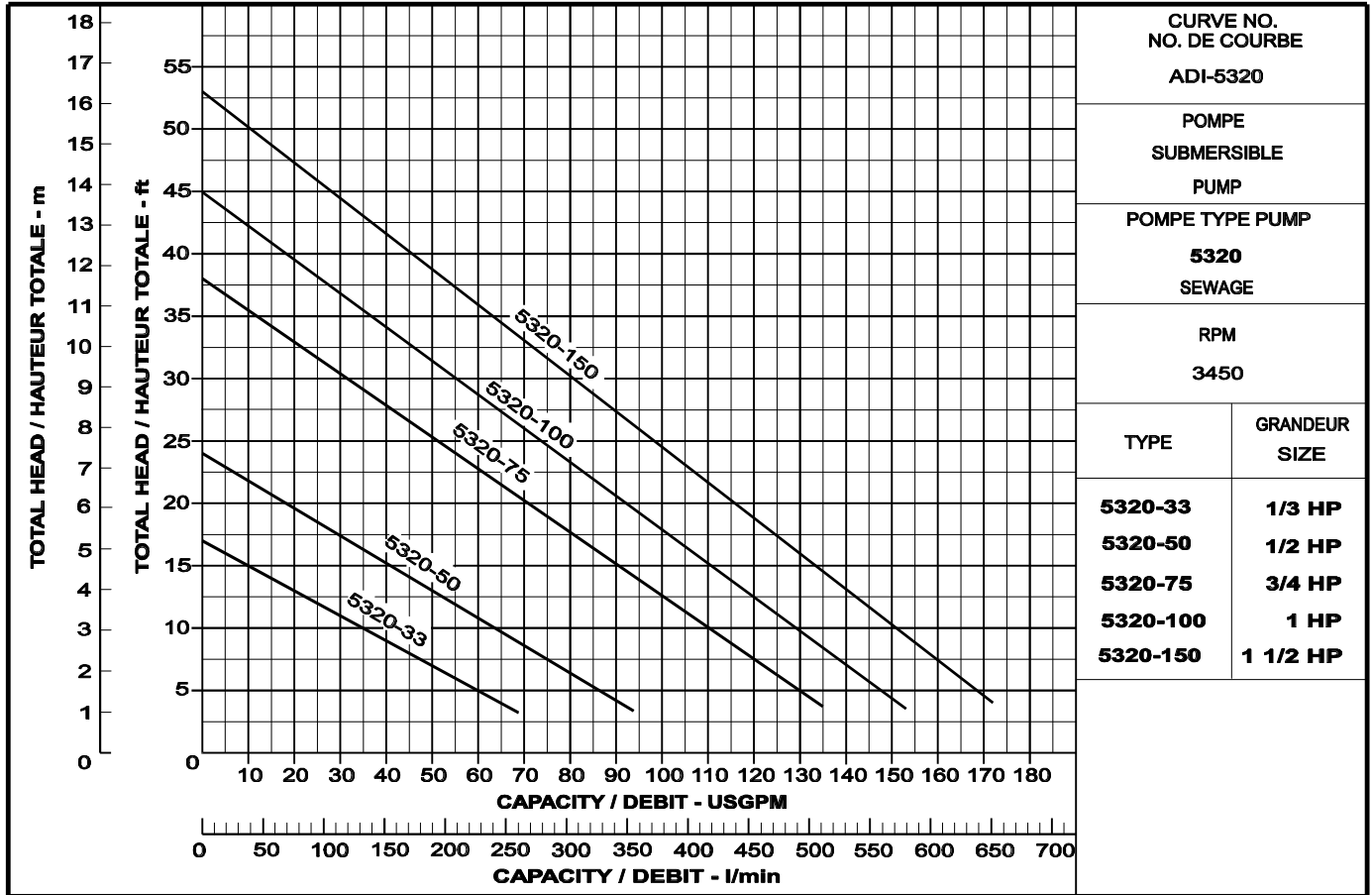
PUMP TYPE SEWAGE	DIMENSIONS (ins)						
	A	B	C	E	F	I	O
5320-33	12 3/4	3 3/4	8 1/4	3 1/8	2	2	2
5320-50	12 3/4	3 3/4	8 1/4	3 1/8	2	2	2
5320-75	15 1/2	4 1/2	9 5/8	3 1/2	3 1/8	2	2
5320-100	15 11/16	4 1/2	9 1/2	3 3/4	3 1/8	2	2
5320-150	15 11/16	4 1/2	9 1/2	3 3/4	3 1/8	2	2



SERIES 5300
SEWAGE 5320
 SUBMERSIBLE PUMP

FILE No.:	53.532
DATE:	December 1, 1998
SUPERSEDES:	NEW
DATE:	NEW

PERFORMANCE CURVES



PUMP TYPE	CAPACITY @ TOTAL HEAD												
	USGPM l/min	0	10	20	30	40	50	60	80	100	120	140	160
SEWAGE	ft	17	15	13	11	9	7	5					
	m	5.2	4.6	4	3.4	2.7	2.1	1.5					
5320-33	ft	24	22	20	18	16	14	11	6				
	m	7.3	6.7	6.1	5.5	4.9	4.3	3.3	1.8				
5320-50	ft	38	36	34	31	28	25	23	18	13	7		
	m	11.6	10.7	10.4	9.5	8.5	7.6	7	5.5	4	2.1		
5320-75	ft	45	42	39	37	34	31	28	24	18	13	7	
	m	13.7	12.8	11.9	11.3	10.4	9.5	8.5	7.3	5.5	4	2.1	
5320-100	ft	53	50	47	45	42	38	36	31	25	18	13	7
	m	16.2	15.2	14.3	13.7	12.8	11.6	11	9.5	7.6	5.5	4	2.1

FLA				
VOLTAGE				
115/1/60	230/1/60	230/3/60	460/3/60	575/3/60
5.4	2.7			
7.6	3.8			
13.4	6.7	3.2	1.6	1.3
	7.3	4.5	2.2	1.8
	8.8	6.0	3.0	2.4

S.A. Armstrong Limited
 23 Bertrand Avenue
 Toronto, Ontario
 Canada, M1L 2P3
 Tel: (416) 755-2291
 Fax: (416) 759-9101

Armstrong Pumps Limited
 Peartree Road, Stanway
 Colchester, Essex
 United Kingdom, C03 5JX
 Tel: 01206-579491
 Fax: 01206-760532



Armstrong Pumps Inc.
 93 East Avenue
 Buffalo, New York
 U.S.A. 14120-6594
 Tel: (716) 693-8813
 Fax: (716) 693-8970

Armstrong Darling Inc.
 2200 Place Transcanadienne
 Montreal, Quebec
 Canada, H9P 2X5
 Tel: (514) 421-2424
 Fax: (514) 421-2436

