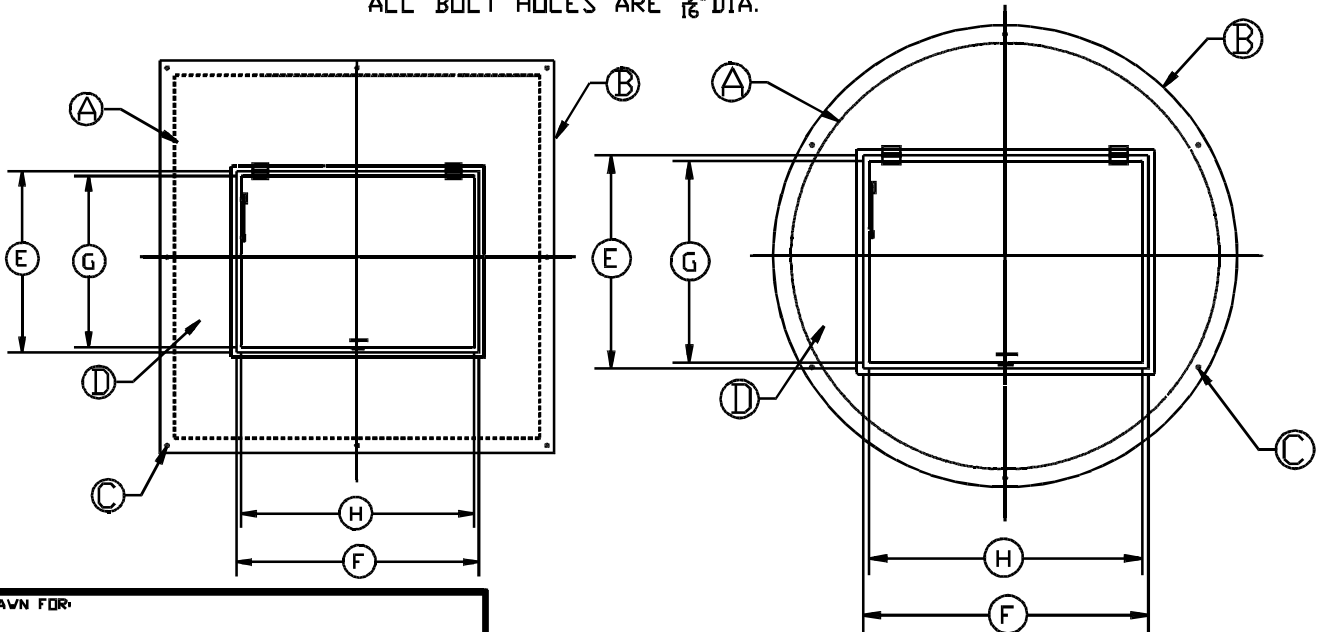


## Submersible Pumps - Steel Hinged Door Covers

PART#	Ⓐ BASIN I.D.	Ⓑ COVER O.D.	Ⓒ BOLT CIRCLE	Ⓓ COVER THICKNESS	Ⓔ DOOR WIDTH	Ⓕ DOOR LENGTH	Ⓖ CLEAR OPENING WIDTH	Ⓗ CLEAR OPENING LENGTH
LB-S30HDC LB-S30HDC-01	30 30X30	34 34X34	32 1/2 32.5X32.5	1/4	16	22	14	20
LB-S36HDC LB-S36HDC-01	36 36X36	40 40X40	38 1/2 38.5X38.5	1/4	18	28	16	26
LB-S42HDC LB-S42HDC-01	42 42X42	46 46X46	44 1/2 44.5X44.5	1/4	20	32	18	30
LB-S48HDC LB-S48HDC-01	48 48X48	54 54X54	51 51X51	1/4	26	36	24	34
LB-S54HDC LB-S54HDC-01	54 54X54	60 60X60	57 57X57	3/8	26	36	24	34
LB-S60HDC LB-S60HDC-01	60 60X60	66 66X66	63 63X63	3/8	32	44	30	42
LB-S66HDC LB-S66HDC-01	66 66X66	72 72X72	69 69X69	3/8	32	44	30	42
LB-S72HDC LB-S72HDC-01	72 72X72	78 78X78	75 75X75	3/8	36	48	34	46

ALL DIMENSIONS IN INCHES

ALL BOLT HOLES ARE  $\frac{9}{16}$ " DIA.



DRAWN FOR:	
DESCRIPTION: STEEL HDC COVER	
DRAWING NUMBER: 0006	
DATE: 9/8/00	SCALE: NONE

**S.A. Armstrong Limited**  
 23 Bertrand Avenue  
 Toronto, Ontario  
 Canada, M1L 2P3  
 Tel: (416) 755-2291  
 Fax: (416) 759-9101  
 Visit us at [www.armstrongpumps.com](http://www.armstrongpumps.com)

**Armstrong Pumps Limited**  
 Peartree Road, Stanway  
 Colchester, Essex  
 United Kingdom, C03 5JX  
 Tel: 01206-579491  
 Fax: 01206-760532



© S. A. Armstrong Limited 2001

**Armstrong Pumps Inc.**  
 93 East Avenue  
 Buffalo, New York  
 U.S.A. 14120-6594  
 Tel: (716) 693-8813  
 Fax: (716) 693-8970

**Armstrong Darling Inc.**  
 2200 Place Transcanadienne  
 Montreal, Quebec  
 Canada, H9P 2X5  
 Tel: (514) 421-2424  
 Fax: (514) 421-2436

