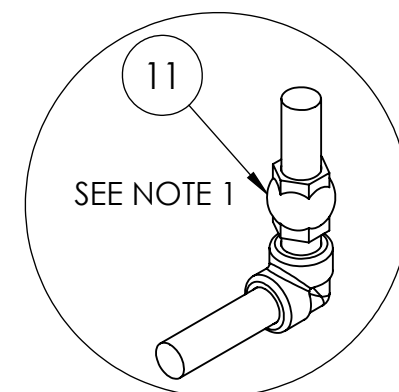
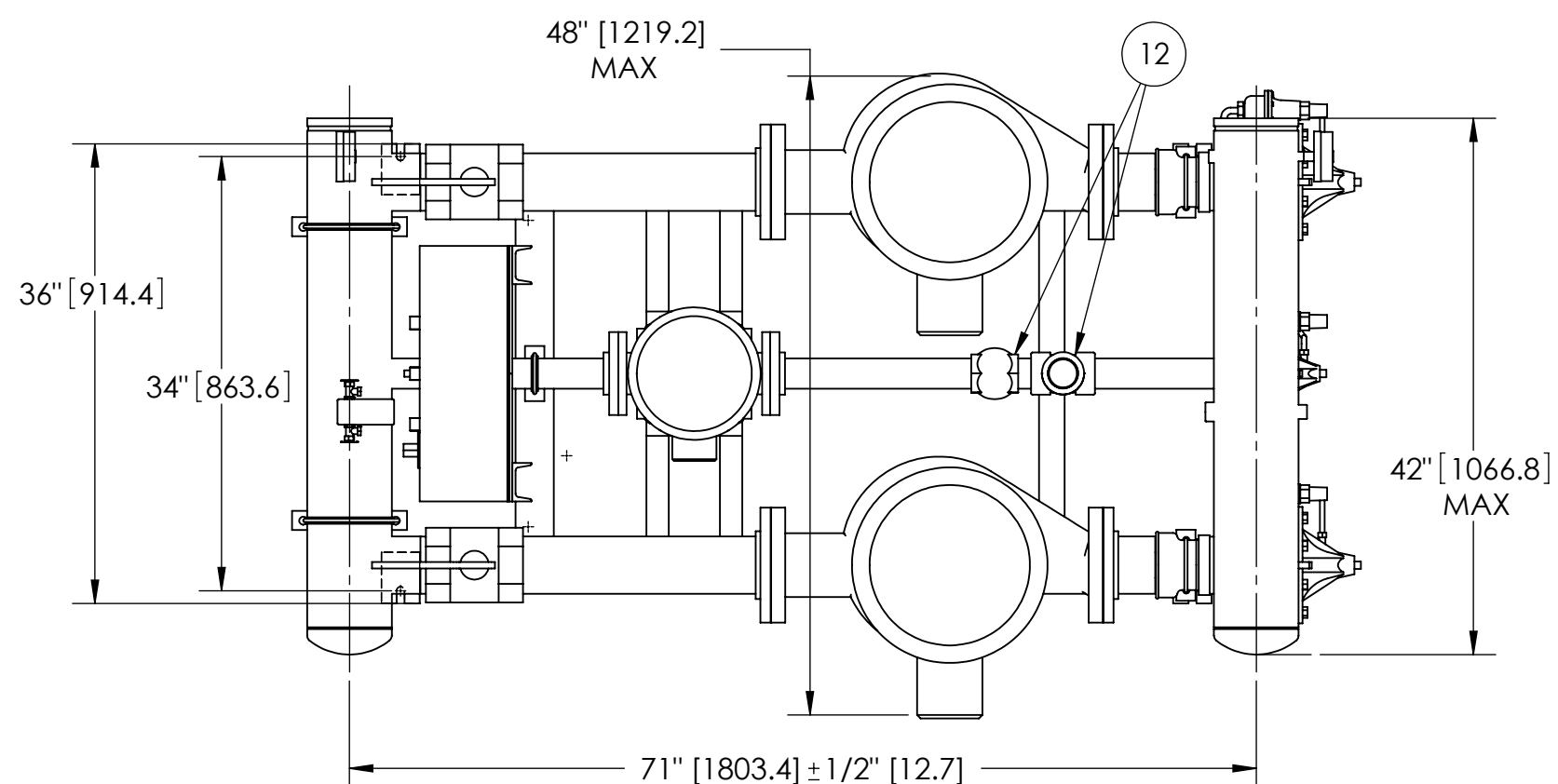


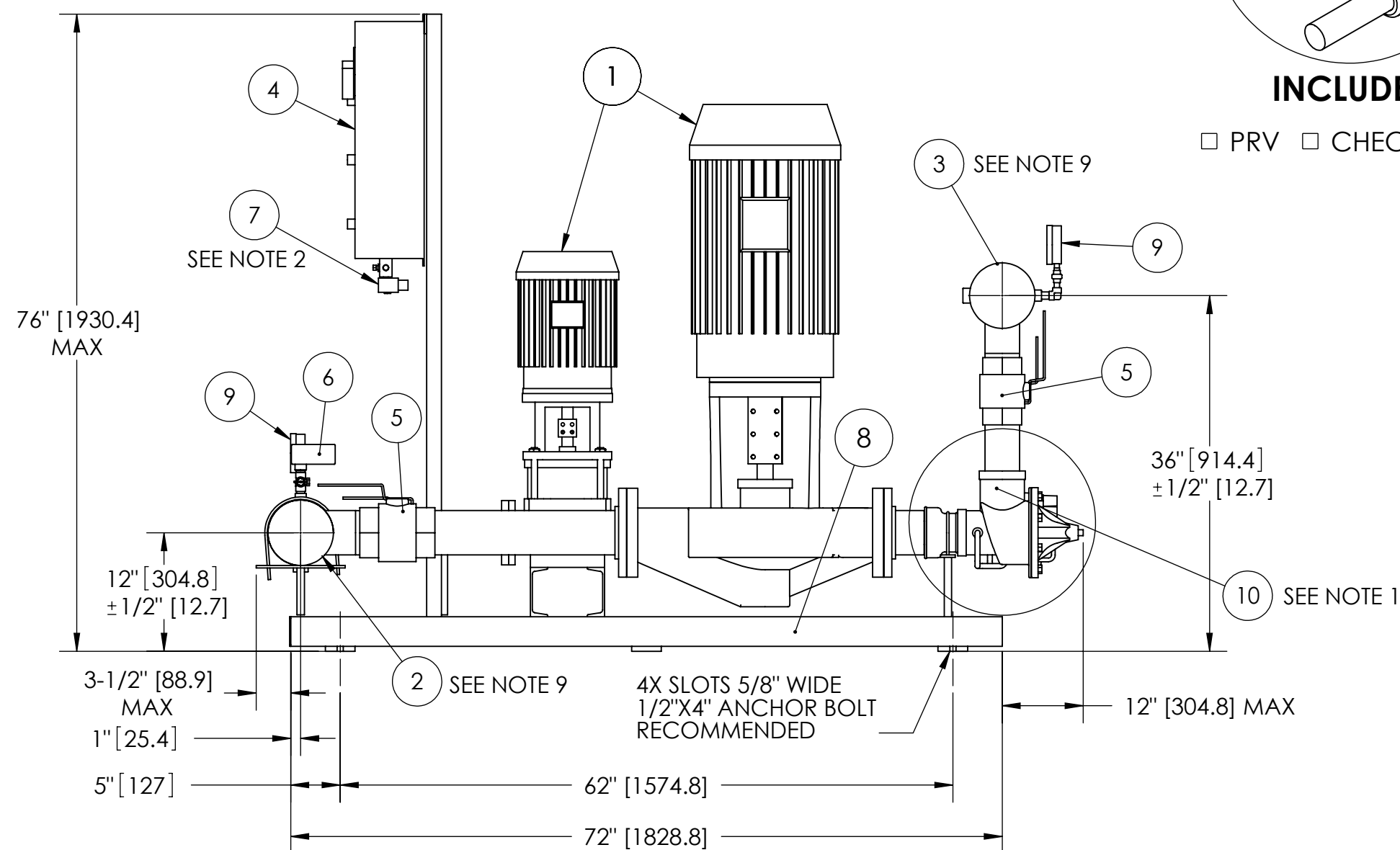
REVISIONS				
ZONE	REV.	DESCRIPTION	DATE	APPROVED
	C	REDRAWN WITH CHANGES, SEE E.O. #103838	2/14/11	

FILE NO.: 62.5239
DATE: May 07, 2011
SUPERSEDES: 62.5239
DATE: Feb. 01, 2010



INCLUDED

PRV CHECK VALVE



NOTES:

- Item ⑩ (PRV) is standard for constant speed packages.
- Item ⑦ is standard for continuous run packages and not standard for intermittent use packages, 1/4" NPT to be connected to drain by others.
- Items ⑫ are optionally available on Constant Speed systems with PRVs and adjacent mounted drawdown tanks. Dimensions in parenthesis applies when items ⑫ are used. For Check Valve only systems items ⑫ are not provided, dimensions in parenthesis do not apply and 1" [25.4] tank connection is located on discharge header.
- Dimensions are based on factory choice standard components. For other than standard consult factory, as a new drawing may be required.
- All dimensions are in inches [Metric].
- Tolerances are +/- 1/4" [6.35] unless otherwise specified.
- Drawings are for layout purposes only.
- Drawing 2402-201 is applicable for Pumps with connection size up to 3", 30hp @ 3600rpm, and nominal impeller diameters of 10". For other sizes consult factory for new drawing.
- Booster is supplied with standard groove for header connections suitable for optional victaulic type or equivalent flanges (optionally supplied loose).
- Type L copper suitable for 175psi, type K suitable for 250psi.

Maximum System Pressure: 175 PSI 250 PSI

INLET ORIENTATION

LEFT HAND - STD. AS SHOWN RIGHT HAND

HEADER SIZE	
<input type="checkbox"/>	3" IPS PIPE 304 S.S.
<input type="checkbox"/>	4" IPS PIPE 304 S.S.
<input type="checkbox"/>	6" IPS PIPE 304 S.S.

1	PUMP & MOTOR	8	BASE & PANEL SUPPORT
2	SUCTION CONNECTION	9	PRESSURE GAUGES
3	DISCHARGE CONNECTION	10	PRESSURE REDUCING VALVE (PRV)
4	CONTROL PANEL	11	CHECK VALVE ONLY (OPTIONAL)
5	ISOLATION VALVES	12	TM CHECK VALVE & TEE (SEE NOTE 3)
6	AQUASTAT		
7	SOLENOID VALVE (1/4" NPT)		

DO NOT SCALE

PROPRIETARY AND CONFIDENTIAL
THE INFORMATION CONTAINED IN THIS DRAWING IS THE SOLE PROPERTY OF S.A. ARMSTRONG. ANY REPRODUCTION IN PART OR AS A WHOLE WITHOUT THE WRITTEN PERMISSION OF S.A. ARMSTRONG IS PROHIBITED.



UNLESS OTHERWISE SPECIFIED:		NAME	DATE
DIMENSIONS ARE IN INCHES WEIGHT IN POUNDS		DRAWN	SP 11/29/03
TOLERANCES: FRACTIONAL ±1/4 ANGULAR: MACH ±0.5° BEND ±0.5° TWO PLACE DECIMAL ±0.25 THREE PLACE DECIMAL ±0.020		CHECKED	JMC 3/30/11
DIMENSIONING AND TOLERANCING PER: ASME Y14.5-1994		Q.A.	EH 3/30/11
MATERIAL		MFG APPR.	JRL 3/30/11
FINISH		ENG APPR.	JC 3/30/11
NEXT ASSY		COMMENTS:	
USED ON		DO NOT SCALE	
APPLICATION		DESIGN AUTHORITY: S.A. ARMSTRONG	

TITLE:		SIZE	DWG. NO.	REV
ARMSTRONG		C	2402-201	C
6782/3 - TRIPLEX DWB		SCALE: NTS	WEIGHT:	SHEET 1 OF 1