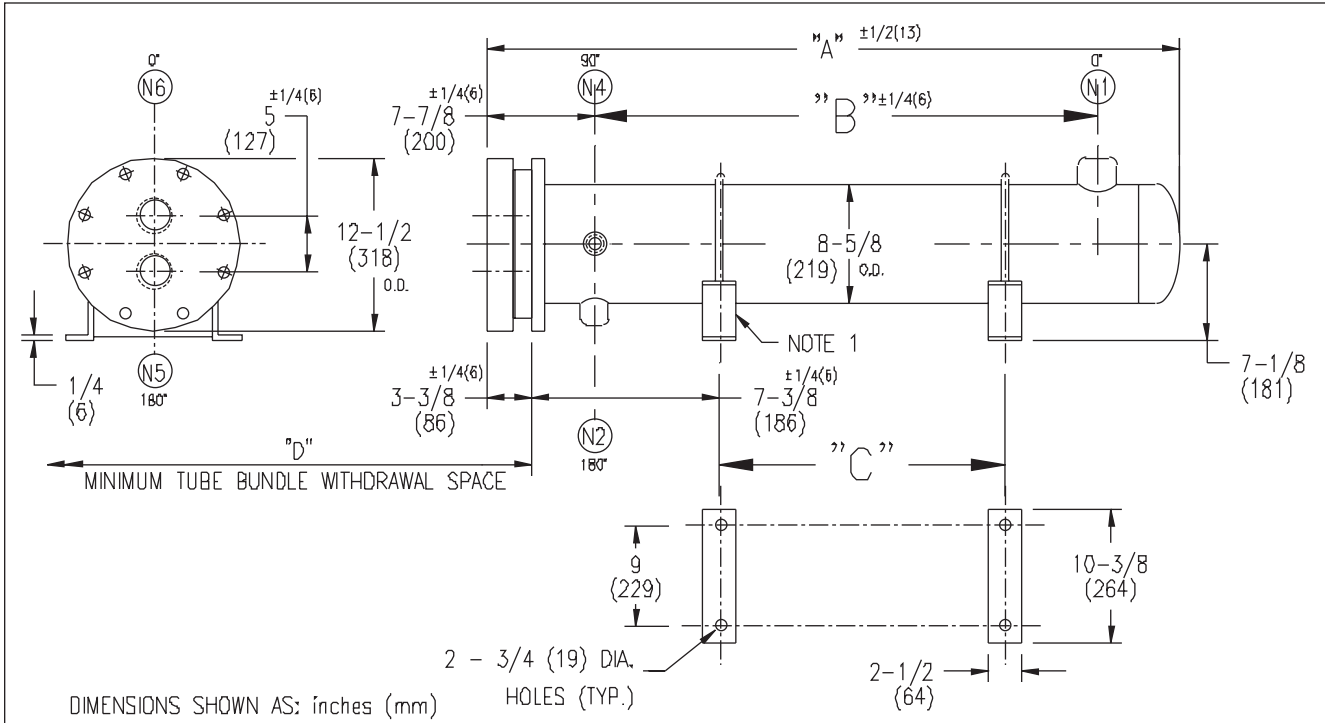


ARMSTRONG®



DIMENSIONS SHOWN AS: inches (mm)

HOLES (TYP.)

EXCHANGER SIZE *BAFFLE SPACING	DIMENSIONS											
	A		B		C		D		N1		N2	
	inches	mm	inches	mm	inches	mm	inches	mm	inches	mm	inches	mm
WS3T-82-2*-E3	39 7/8	1013	24 1/4	616	16 5/8	422	26	660	2	51	1	25
WS3T-83-2*-E3	51 7/8	1318	36 1/4	921	28 5/8	727	38	965	2-1/2	64	1	25
WS3T-84-2*-E3	63 7/8	1622	48 1/4	1226	40 5/8	1032	50	1270	3	76	1	25

NOZZLE SCHEDULE				
SERVICE	MARK	SHELL SIDE	MARK	TUBE SIDE
INLET	N1	AS PER TABLE	N5	3 (76) NPT
OUTLET	N2	AS PER TABLE	N6	3 (76) NPT
VENT	N4	3/4 (19) NPT		

- NOTES: 1. SUPPORTS SUPPLIED ONLY IF SPECIFIED ON ORDER.
 2. NOZZLE SIZES SHOWN ARE RECOMMENDED FOR MAX. EXCHANGER LIFE, NO EXTERNAL FORCES APPLY.
 3. FABRICATED TO ASME CODE SECTION VIII DIVISION 1 AND LATEST ADDENDA.
 4. DRAWING IS NOT TO SCALE.
 5. ALL DIMN'S ±1/8 (3) UNLESS OTHERWISE SHOWN.

DESIGN CONDITIONS				
	SHELL		TUBES	
DESIGN PRESSURE	150 PSIG	1034 KPa	300 PSIG	2068 KPa
DESIGN TEMPERATURE	375 °F	191 °C	375 °F	191 °C
MIN. DESIGN METAL TEMP.	35 °F	1.7 °C	35 °F	1.7 °C
HYDRD. TEST PRESSURE	225 PSIG	1551 KPa	450 PSIG	3102 KPa
CONTENTS	STEAM		WATER	

CUSTOMER:
 LOCATION:
 ENGINEER:
 ORDER No.:
 PROJECT/JOB:
 LOCATION:
 TAG: (QUOTE #)

TITLE G.A. 300 LB. WS SERIES HEAT EXCHANGERS	A R M S T R O N G				NUMBER WS3T-8-2P-E3(3)	REV.
DATE: 01 / 09 / 01 BY: J.R.	TORONTO - CANADA TEL : (416) 755-2291	MONTREAL - CANADA TEL : (514) 421-2424	BUFFALO - N. Y. TEL: (716) 693-8813	COLCHESTER - U.K. TEL: (44) 120-657-9491		