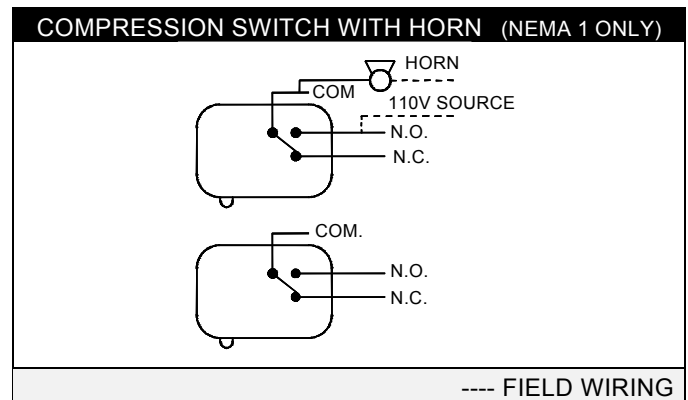
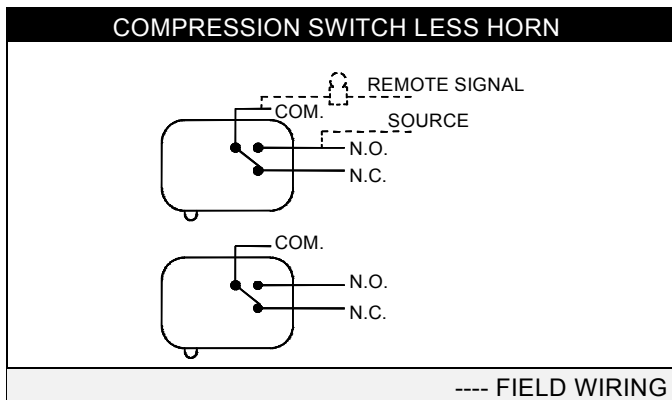


FILE NO.:	50.72
DATE:	JULY 15, 1996
SUPERSEDES:	NEW
DATE:	NEW

SUBMITTAL

Job: _____	Representative: _____
_____	_____
_____	_____
Engineer: _____	Order No: _____ Date: _____
Contractor: _____	Submitted by: _____ Date: _____
	Approved by: _____ Date: _____

TYPICAL MOUNTING	COMPRESSION SWITCH	ENCLOSURE TYPES
<p>SUMP COVER PLATE</p>	<ul style="list-style-type: none"> SENSES STATIC HEAD PRESSURE BETWEEN MEDIA AND BELLOWS IN THE SWITCH ENCLOSURE AS LIQUID LEVEL RISES, TRAPPED AIR IN COMPRESSION PIPE CAUSES BELLOWS TO EXPAND AND TRIP THE MICROSWITCH WHICH CAN BE USED TO ACTIVATE AN EXTERNAL CIRCUIT AS WELL AS INTEGRAL ALARM WHEN ORDERED 	<ul style="list-style-type: none"> NEMA 1 - GENERAL PURPOSE (* standard offering unless indicated otherwise.) NEMA 4 - WATER TIGHT NEMA 7 - EXPLOSIONPROOF



INTEGRAL ALARM INDICATOR

- Snap action switch DPDT, 5 Amp, 125/250 VAC, 1/4 HP
- Bellows pressure sensor
- NEMA two gang box cast aluminum 2-1/2 inch NPT hubs
- 1/4 inch aluminum hex bushing tapped for 1/2 inch NPT
- Rubber gasket
- Aluminum cover
- Switch bracket
- Alarm Horn (optional) 120 VAC 4 VA 60 Hz

S.A. Armstrong Limited
23 Bertrand Avenue
Toronto, Ontario
Canada, M1L 2P3
Tel: (416) 755-2291
Fax: (416) 755-9101

Armstrong Pumps Limited
Peartree Road, Stanway
Colchester, Essex
United Kingdom, C03 5JX
Tel: 01206-579491
Fax: 01206-760532



Armstrong Pumps Inc.
93 East Avenue
Buffalo, New York
U.S.A. 14120-6594
Tel: (716) 693-8813
Fax: (716) 693-8970
1-800-FLOW-845

Armstrong Darling Inc.
2200 Place Transcanadienne
Montreal, Quebec
Canada, H9P 2X5
Tel: (514) 421-2424
Fax: (514) 421-2436