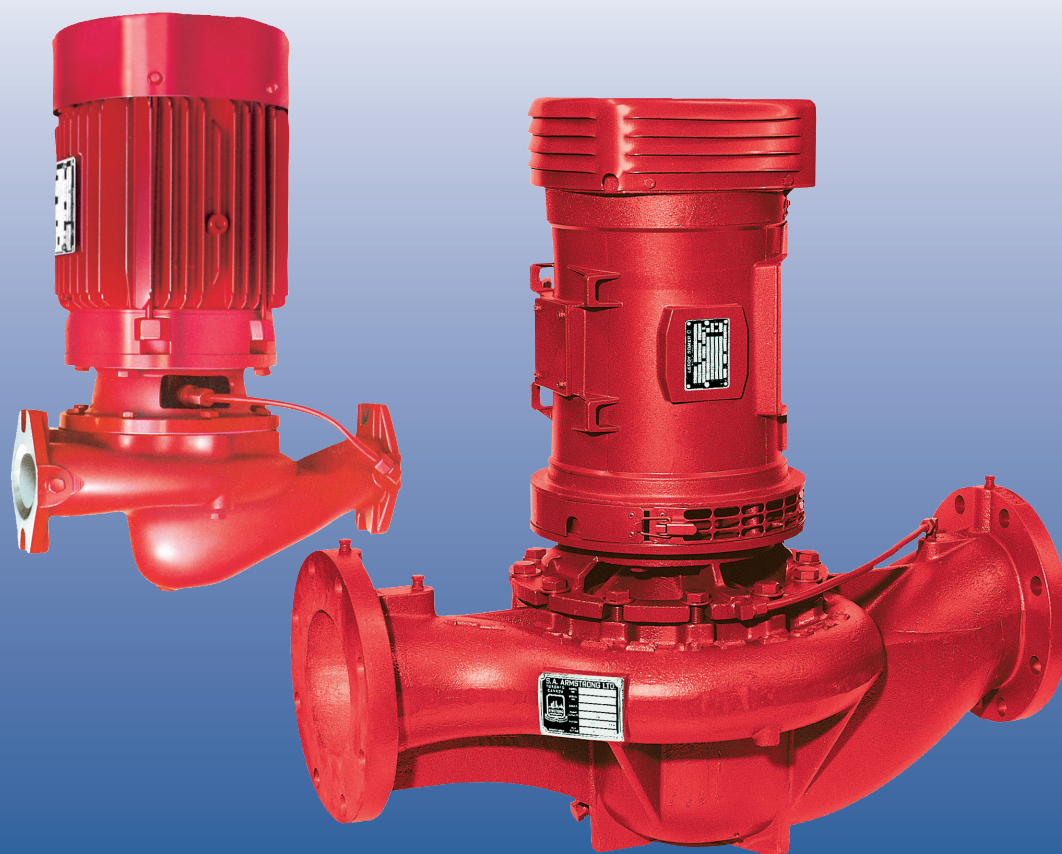


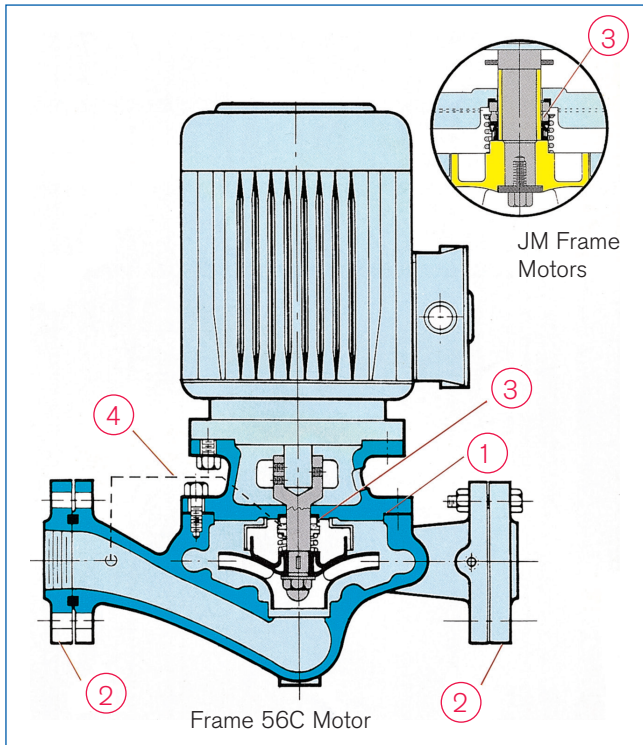
**ARMSTRONG**



## Close Coupled Vertical In-Line Pumps

FILE NO:	43.11L
DATE:	Feb. 09, 2011
SUPERSEDES:	43.11L
DATE:	Nov. 12, 2007

## ► Series 4360



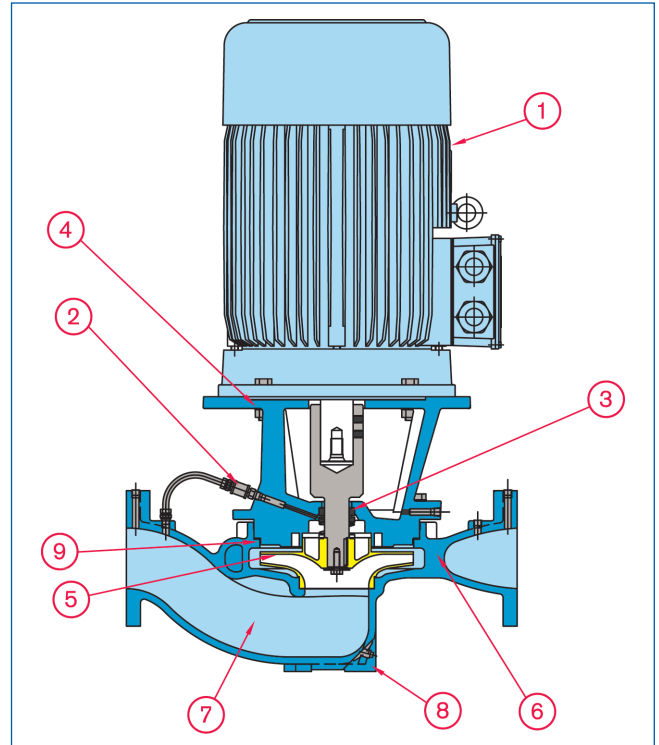
### ► Design Features

- ① Easy to service. A radially split casing permits removal of the motor and pump rotating assembly, without removing the pump casing from the line.
- ② Easy removal of complete pump from the line when necessary, due to companion flanges, supplied with the pump.
- ③ Inside type mechanical seal serviceable without breaking pipe connections.
- ④ Flush and vent connection removes entrained air and ensures liquid at seal face at all times.
- ⑤ Equal suction and discharge connections result in simplified piping design and installation.
- ⑥ Fewer maintenance and servicing problems due to bearing-free pump design.

### ► Typical Applications

- Cooling and heating systems.
- Pressure boosting systems.
- Industrial applications requiring a compact pump.
- OEM (Cooling tower, spray washer, fountain, etc.).

## ► Series 4380



### ► Design Features

- ① Industry standard face mounted motor.
- ② Flush and vent connection removes entrained air and ensures liquid at seal face at all times.
- ③ Inside type mechanical seal serviceable without breaking pipe connections.
- ④ Heavy cylindrical bracket with 360° register on both flanges provides a rigid union of pump and motor.
- ⑤ Dynamically balanced impeller assures smooth vibration-free operation.
- ⑥ Radially split casing with equal suction and discharge flange sizes. Separate tapped openings for gauge, flush and drain connections.
- ⑦ Liberal inlet passageways and straightening vanes provide optimum suction performance and quiet operation.
- ⑧ Ribs cast integral with casing. Machined surface to accept floor support when specified.
- ⑨ Confined casing gasket to meet stringent industrial temperature and pressure applications.

# Series 4360 & 4380

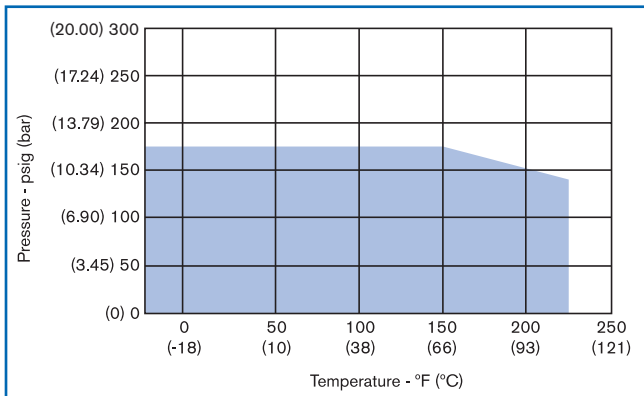
## ► Materials of Construction

Pump Series	Flange Rating (psig)	Motor Frame	Construction	Casing	Impeller	Capscrew (Impeller)	Washer (Impeller)	Acorn Nut (Impeller)	Gasket (Casing)	Adapter Bracket	Motor Shaft	Shaft Sleeve	Stub Shaft	Shaft Spacer	Water Slinger	Seal Washer	Seal Seat	Seal Hardware	Seal Elastomer	Seal Spring	Companion Flanges
4360 B	125		BF	CI	BR-2	-	-	SS-2	F	CI	S	-	SS-6	-	-	C	CE	BR-1	BU	SS-4	CI
	125	56c	AI	CI	ST	-	-	SS-2	F	CI	S	-	SS-6	-	-	C	CE	ST	BU	SS-4	CI
	125		AB	BZ	BR-2	-	-	SS-2	F	BZ	S	-	SS-6	-	-	C	CE	BR-1	BU	SS-4	BZ
4360 D	125		BF	CI	BZ	SS-5	SS-3	-	F	CI	S	-	SS-3	SS-4	N	C	SiC	SS-2	EP	SS-5	CI
	125	56c	AI	CI	CI	SS-5	SS-3	-	F	CI	S	-	SS-3	SS-4	N	C	SiC	SS-2	EP	SS-5	CI
	125		AB	BZ	BZ	SS-5	SS-3	-	F	BZ	S	-	SS-3	SS-4	N	C	SiC	SS-2	EP	SS-5	BZ
	125		BF	CI	BZ	SS-5	SS-3	-	F	CI	S	BR-1	-	SS-4	N	C	SiC	SS-2	EP	SS-5	CI
	125	JM	AI	CI	CI	SS-5	SS-3	-	F	CI	S	SS-4	-	SS-4	N	C	SiC	SS-2	EP	SS-5	CI
	125		AB	BZ	BZ	SS-5	SS-3	-	F	BZ	S	BR-1	-	SS-4	N	C	SiC	SS-2	EP	SS-5	BZ
4380	125		BF	CI	BZ	SS-5	SS-3	-	F	CI	S	-	SS-3	SS-4	N	C	SiC	SS-2	EP	SS-5	-
	125	56c	AI	CI	CI	SS-5	SS-3	-	F	CI	S	-	SS-3	SS-4	N	C	SiC	SS-2	EP	SS-5	-
	125		AB	BZ	BZ	SS-5	SS-3	-	F	BZ	S	-	SS-3	SS-4	N	C	SiC	SS-2	EP	SS-5	-
	125		BF	CI	BZ	SS-5	SS-3	-	F	CI	S	BR-1	-	SS-4	N	C	SiC	SS-2	EP	SS-5	-
	125	JM/JP	AI	CI	CI	SS-5	SS-3	-	F	CI	S	SS-4	-	SS-4	N	C	SiC	SS-2	EP	SS-5	-
	125		AB	BZ	BZ	SS-5	SS-3	-	F	BZ	S	BR-1	-	SS-4	N	C	SiC	SS-2	EP	SS-5	-
	250	JM/JP	DBF	DI	BZ	SS-5	SS-3	-	F	DI	S	BR-1	-	SS-4	N	C	SiC	SS-2	EP	SS-5	-
250		DI	DI	CI	SS-5	SS-3	-	F	DI	S	SS-4	-	SS-4	N	C	SiC	SS-2	EP	SS-5	-	

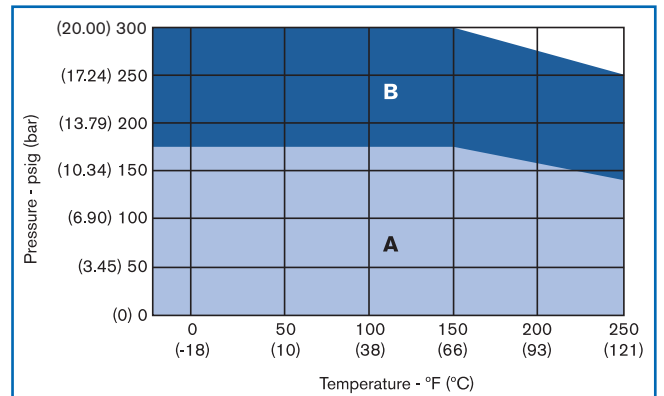
### Materials of Construction Code

BF - Bronze Fitted	BZ - Cast Bronze ASTM B584 Grade C84400	C - Carbon	SiC - Silicone Carbide
AI - All Iron	BR-1 - Hard Brass Tubing ASTM B111.687	CE - Ceramic	ST - Plated Steel
AB - All Bronze	BR-2 - Brass Plate	DI - Cast Ductile Iron ASTM A536 Grade 65-45-12	SS-2 - ASTM A564 Type 18-8
DBF - Bronze Fitted, Ductile Casing and Adapter Bracket	BU - Buna - N Rubber	EP - EPDM elastomer	SS-3 - ASTM A314 Type 303
DI - All Iron, Ductile Casing and Adapter Bracket	CI - Cast Iron ASTM A48 Class 30	F - Fiber	SS-4 - ASTM A276 Type 304
		N - Neoprene	SS-5 - AISI 1010-1018 Type 316
		S - Carbon Steel	SS-6 - ASTM A314 Type 416

## ► Pressure/Temperature Chart Series 4360/4380



Cast Iron - 125 psig Standard seal.  
Series 4360B



(A) Cast Iron - 125 psig Standard seal.  
Series 4360D & 4380.

(B) Ductile Iron - 250 psig flanges Carbide seal.  
Series 4380 only.

Notes:

- Hydrostatic test pressure at ambient temperature is 150% maximum working pressure.
- All values are based on clear, clean water. Values may change with other liquids.

## ► Typical Specifications

- 1.0 PUMPS - CLOSE COUPLED VERTICAL IN-LINE.
- 2.0 Provide Armstrong single stage, single suction Vertical In-Line type pumps, with rising head to shut off pump characteristics.  
  
Refer to the schedule for pump flows and heads and motor speed, efficiency, enclosure and power requirements.
- 3.0 The pumps shall be Armstrong Series 4360 or Series 4380 motor mounted Vertical In-Line.

### 4.0 Pump Construction:

#### ► Series 4360:

- 4.1 Pump casing shall be cast iron, suitable for 175 psi (12.06 bar) working pressure at 140°F (60°C). The casing shall be hydrostatically tested to 150% maximum working pressure.  
  
The casing shall be radially split to allow removal of the rotating element without disturbing the pipe connections.  
  
The casing shall be provided with NPT threaded companion flanges, for the appropriate pump size, with gaskets and hardware.
- 4.2 Pump impeller shall be fully enclosed type. The impeller shall be keyed and secured to the pump shaft by stainless steel fittings.
- 4.3 The pump shaft shall be a stainless steel stub shaft for frame 56 motors. The steel motor shaft shall be enclosed by a bronze shaft sleeve, on other motor frame sizes.
- 4.4 Mechanical seal shall be single spring inside type with carbon and ceramic (4360B) / carbon and silicone carbide (4360D) faces, EPDM elastomer, stainless steel spring and hardware. Provide factory installed seal vent line, piped from the seal area to the pump suction connection.

#### ► Series 4380:

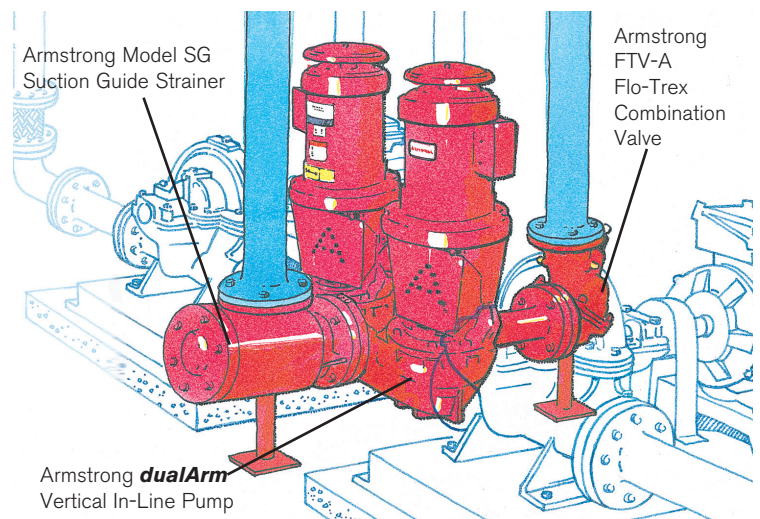
- 4.1 Pump casing shall be cast iron, suitable for 175 psi (12.06 bar) working pressure at 140°F (60°C). Ductile iron pump casings are suitable for pressures to 250 psi (17.24 bar). The casing shall be hydrostatically tested to 150% maximum working pressure.  
  
The casing shall be radially split to allow removal of the rotating element without disturbing the pipe connections.  
  
The casing suction and discharge connections shall be the same size and shall be provided with drilled and tapped seal vent and pressure gauge connections.
- 4.2 Pump impeller shall be bronze, fully enclosed type. Impeller shall be dynamically balanced.
- 4.3 A bronze shaft sleeve, extending the full length of the mechanical seal area, shall be provided.
- 4.4 Mechanical seal shall be single spring inside type with carbon against silicone carbide faces. EPDM elastomer with stainless steel spring and hardware shall be provided. Seal vent line shall be factory installed and shall be piped from the seal area to the pump suction connection.
- 5.0 Motor power requirements shown on the pump schedule are the minimum acceptable and have been sized for continuous operation without exceeding the full load nameplate rating over the entire pump curve, exclusive of service factor.

## Other Armstrong Products

For even greater space savings, ease of installation and flexibility of use:

Specify Armstrong **dualArm** Vertical In-Line pump.

- Two (2) Armstrong time proven Vertical In-Line pumps in one (1) casing.
- Eliminates a complete set of piping and fittings.
- Stand-by or two pump parallel operation with no loss of single pump efficiency.
- Remove one pump for repair while the second pump continues to operate.



**Armstrong Integrated Limited**  
Wenlock Way  
Manchester  
United Kingdom, M12 5JL  
T: +44 (0) 8444 145 145  
F: +44 (0) 8444 145 146

**S. A. Armstrong Limited**  
23 Bertrand Avenue  
Toronto, Ontario  
Canada, M1L 2P3  
T: (416) 755-2291  
F (Main): (416) 759-9101

**ARMSTRONG** 



© S. A. Armstrong Limited 2011

For Armstrong locations worldwide, please visit [www.armstrongintegrated.com](http://www.armstrongintegrated.com)