

SERIES 4030 | END SUCTION BASE MOUNTED SPLIT COUPLED | 5 × 4 × 10 | SUBMITTAL

File No: 40.64
Date: NOV. 26, 2014
Supersedes: 40.64
Date: OCT. 15, 2013

Job: _____ Representative: _____

Order no.: _____ Date: _____

Engineer: _____ Submitted by: _____ Date: _____

Contractor: _____ Approved by: _____ Date: _____

PUMP DESIGN DATA

No. of pumps: _____ Tag: _____
Capacity: _____ USgpm (L/s) Head: _____ ft (m)
Liquid: _____ Viscosity: _____
Temperature: _____ °F (°C) Specific gravity: _____
Suction: 5" (125mm) Lugged
Discharge: 4" (100mm) Flanged

MATERIALS OF CONSTRUCTION

ANSI FLANGE RATING	ANSI 125	ANSI 250
Construction	<input type="checkbox"/> BF	<input type="checkbox"/> DBF
Casing	Cast iron	Ductile iron

Impeller: Bronze

Gasket: Confined non-asbestos fiber

Bearing frame: Cast iron

Anti-friction bearings: Permanently lubricated

Shaft: Carbon steel

Shaft sleeve: Stainless steel

Coupler: Constant speed: Woods sure-flex or equal
Variable speed: Woods dura-flex or equal

Coupler guard: Steel OSHA

Baseplate: Fabricated steel

MECHANICAL SEAL DATA

Seal type: 2A **Stationary seat:** Silicone carbide
Secondary seal: EPDM **Rotating hardware:** Stainless steel
Spring: Stainless steel

MOTOR DESIGN DATA

HP: _____ RPM: _____ Frame size: _____ Enclosure: _____
Volts: _____ Hertz: 60 Hz Phase: 3
Efficiency*: NEMA premium 12.12 Other _____ %

* Fractional power and frame 56 motors are supplied with the standard efficiency of the manufacturer.

MAXIMUM PUMP OPERATING CONDITIONS

ANSI 125

175 psig at 150°F (12 bars at 65°C)
140 psig at 250°F (10 bars at 121°C)

ANSI 250

300 psig at 150°F (20 bars at 65°C)
250 psig at 250°F (17 bars at 121°C)

- Tolerance of ±0.125" (±3 mm) should be used
- See performance curves on page 3
- For exact installation, data please write factory for certified dimensions
- Pump equipped with casing drain plug and ¼" NPT suction and discharge gauge ports

OPTIONAL EQUIPMENT

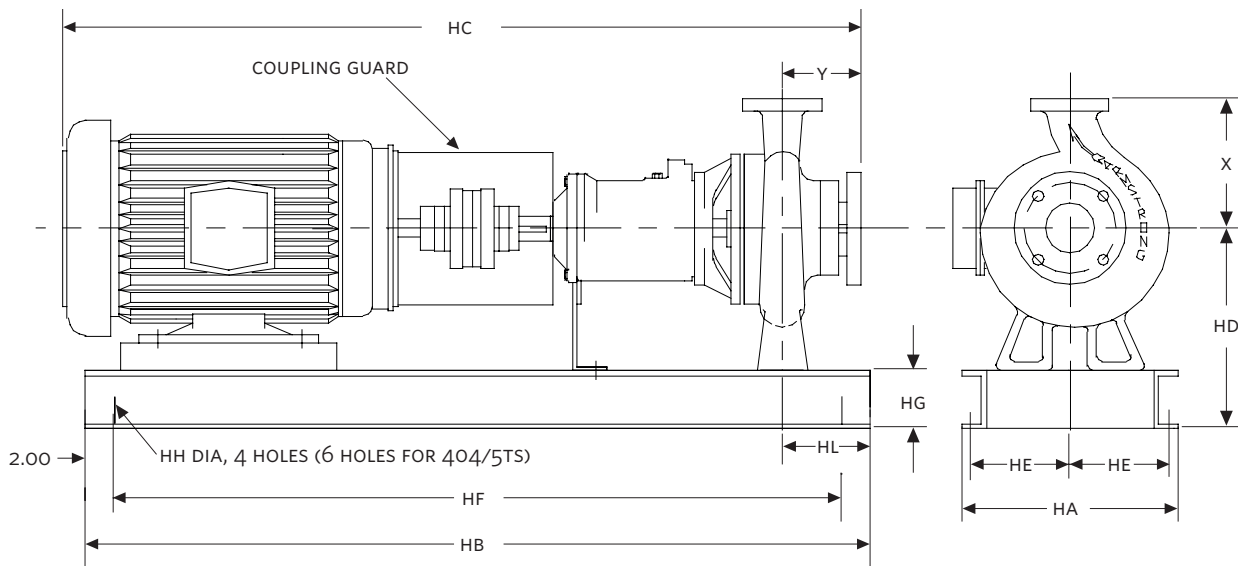
FLUID TYPE	ALL GLYCOLS > 30% WT CONC		ALL OTHER NON-POTABLE FLUIDS		POTABLE (DRINKING) WATER	
	up to 200°F (93°C)	over 200°F (93°C)	up to 200°F (93°C)	over 200°F (93°C)	up to 200°F (93°C)	over 200°F (93°C)
Rotating face	Silicone carbide		Resin bonded carbon	Antimony loaded carbon	Resin bonded carbon	
Seat elastomer	EPDM (L-cup)	EPDM (O-ring)	EPDM (L-cup)	EPDM (O-ring)	EPDM (L-cup)	EPDM (O-ring)
Material code	SCSc L EPSS 2A	SCSc O EPSS 2A	C-SC L EPSS 2A	ACSc O EPSS 2A	C-SC L EPSS 2A	C-SC O EPSS 2A

MOTOR	HORSEPOWER @ RPM				MAX. DIMENSIONS INCHES (mm)										MAX. ASSEMBLY WEIGHT*		
	3600		1800	1200	HA	HB	HC	HD	HE	HF**	HG	HH	HL	X	Y	lbs (kgs)	
FRAME	ODP	TEFC			ODP/TEFC										ODP	TEFC	
184TC	—	—	—	2	16.00 (406)	40.00 (1016)	31.95 (812)	13.00 (330)	7.38 (187)	36.00 (914)	3.00 (76)	0.75 (19)	4.50 (114)	12.50 (318)	4.00 (102)	256 (116.1)	283 (128.4)
213TC	—	—	7.5	3	16.00 (406)	40.00 (1016)	33.92 (862)	13.00 (330)	7.38 (187)	36.00 (914)	3.00 (76)	0.75 (19)	4.50 (114)	12.50 (318)	4.00 (102)	305 (138.3)	355 (161.0)
215TC	—	—	10	5	16.00 (406)	40.00 (1016)	33.92 (862)	13.00 (330)	7.38 (187)	36.00 (914)	3.00 (76)	0.75 (19)	4.50 (114)	12.50 (318)	4.00 (102)	320 (145.1)	362 (164.2)
254TC	—	—	15	7.5	16.00 (406)	40.00 (1016)	38.45 (977)	13.00 (330)	7.38 (187)	36.00 (914)	3.00 (76)	0.75 (19)	4.50 (114)	12.50 (318)	4.00 (102)	447 (202.8)	481 (218.2)
256TC	—	—	20	—	16.00 (406)	45.00 (1143)	42.56 (1081)	13.00 (330)	7.38 (187)	41.00 (1041)	3.00 (76)	0.75 (19)	4.50 (114)	12.50 (318)	4.00 (102)	540 (244.9)	564 (255.8)
284TC†	—	—	25	—	19.00 (483)	48.00 (1219)	44.50 (1130)	14.00 (356)	8.88 (225)	44.00 (1118)	4.00 (102)	0.75 (19)	4.50 (114)	12.50 (318)	4.00 (102)	618 (280.3)	721 (327.0)
324TSC†	50	—	—	—	19.00 (483)	48.00 (1219)	47.94 (1218)	14.00 (356)	8.88 (225)	44.00 (1118)	4.00 (102)	0.75 (19)	4.50 (114)	12.50 (318)	4.00 (102)	800 (362.9)	801 (363.3)
326TSC†	60	50	—	—	19.00 (483)	48.00 (1219)	47.94 (1218)	14.00 (356)	8.88 (225)	44.00 (1118)	4.00 (102)	0.75 (19)	4.50 (114)	12.50 (318)	4.00 (102)	874 (396.4)	847 (384.2)
364TSC†	75	60	—	—	19.00 (483)	48.00 (1219)	49.53 (1258)	15.50 (394)	8.88 (225)	44.00 (1118)	4.00 (102)	0.75 (19)	4.50 (114)	12.50 (318)	4.00 (102)	1045 (474.0)	1232 (558.8)
365TSC†	100	75	—	—	19.00 (483)	48.00 (1219)	49.53 (1258)	15.50 (394)	8.88 (225)	44.00 (1118)	4.00 (102)	0.75 (19)	4.50 (114)	12.50 (318)	4.00 (102)	1149 (521.2)	1265 (573.8)
404TSC***†	125	—	—	—	19.00 (483)	58.00 (1473)	53.51 (1359)	15.50 (394)	8.88 (225)	27.00 (686)	4.00 (102)	0.75 (19)	4.50 (114)	12.50 (318)	4.00 (102)	1295 (587.4)	—
405TSC***†	—	100	—	—	19.00 (483)	58.00 (1473)	53.51 (1359)	15.50 (394)	8.88 (225)	27.00 (686)	4.00 (102)	0.75 (19)	4.50 (114)	12.50 (318)	4.00 (102)	—	1437 (651.8)

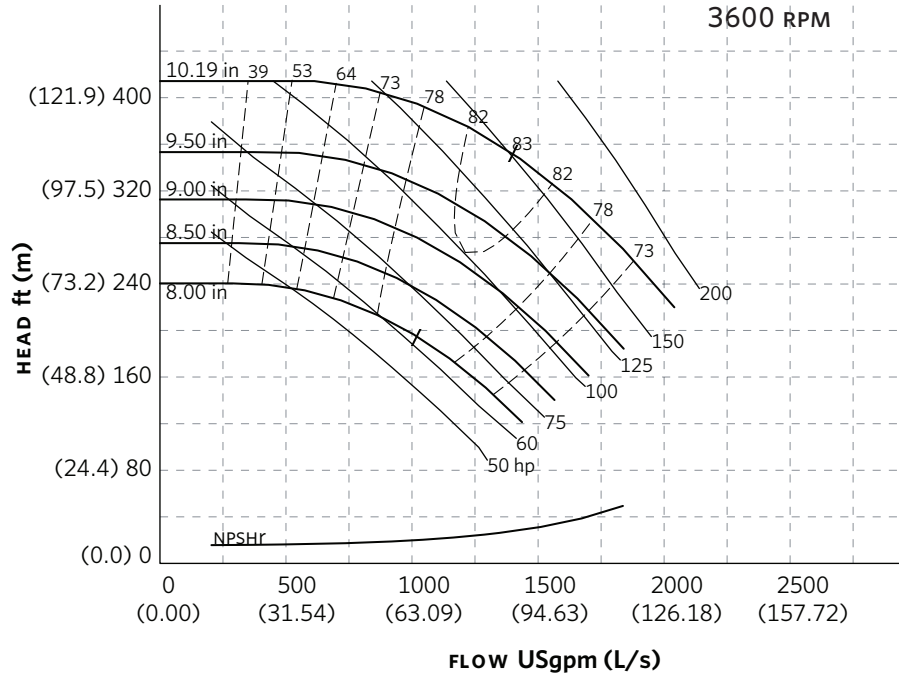
*Assembly weight combines pump and motor.

†Re-greasable ball bearings on pumps for frame sizes indicated.

**4030 5 × 4 × 10 404TS & 405TS are supplied with a 6-hole (equidistant on HF) base.



SERIES 4030 PERFORMANCE CURVES



Curve number
PT89-1-0-3600

Series
4030

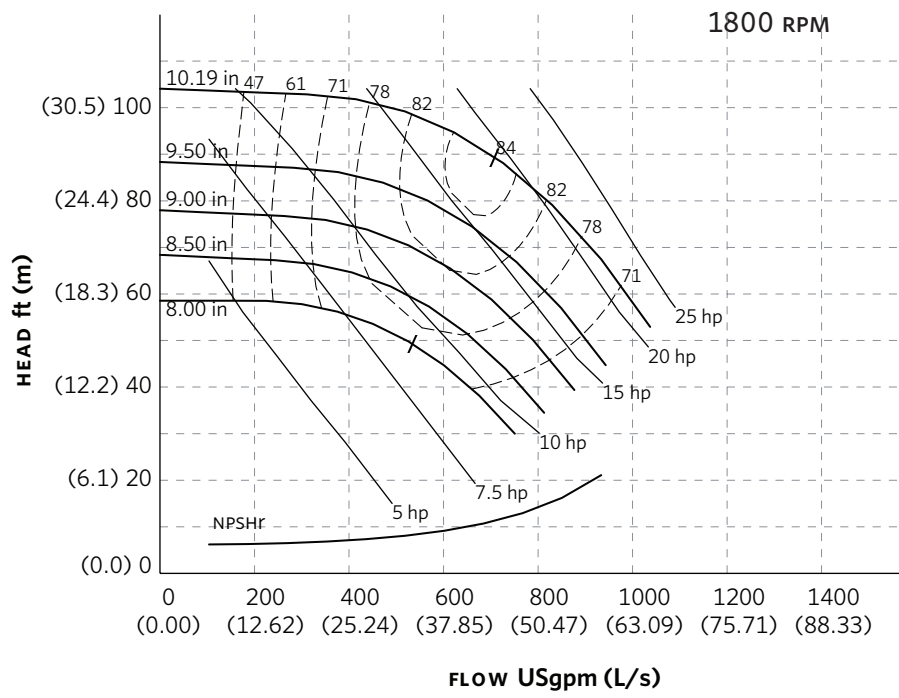
Size
5 × 4 × 10

RPM
3600

BHP based on shown Fluid's sp. gr.

Availability
4030 FR 405 MAX.

Performance guaranteed only at operating point indicated.
 Curve shown for clear, cold water - SP. GR. 1.0000



Curve number
PT90-1-0-1800

Series
4030
4280

Size
5 × 4 × 10

RPM
1800

BHP based on shown Fluid's sp. gr.

Availability
4030 all ratings
4280 all ratings

Performance guaranteed only at operating point indicated.
 Curve shown for clear, cold water - SP. GR. 1.0000

Performance curves are for reference only.
 Confirm current performance data with Armstrong ACE Online selection software.

TORONTO

23 BERTRAND AVENUE
TORONTO, ONTARIO
CANADA
M1L 2P3
+1 416 755 2291

BUFFALO

93 EAST AVENUE
NORTH TONAWANDA, NEW YORK
U.S.A.
14120-6594
+1 716 693 8813

BIRMINGHAM

HEYWOOD WHARF, MUCKLOW HILL
HALESOWEN, WEST MIDLANDS
UNITED KINGDOM
B62 8DJ
+44 (0) 8444 145 145

MANCHESTER

WENLOCK WAY
MANCHESTER
UNITED KINGDOM
M12 5JL
+44 (0) 8444 145 145

BANGALORE

#59, FIRST FLOOR, 3RD MAIN
MARGOSA ROAD, MALLESWARAM
BANGALORE, INDIA
560 003
+91 (0) 80 4906 3555

SHANGHAI

NO. 1619 HU HANG ROAD, XI DU TOWNSHIP
FENG XIAN DISTRICT, SHANGHAI
P.R.C.
201401
+86 21 3756 6696

ARMSTRONG FLUID TECHNOLOGY
ESTABLISHED 1934

ARMSTRONGFLUIDTECHNOLOGY.COM

**MAKING
ENERGY
MAKE
SENSE™**