

## SERIES 4300 | VERTICAL IN-LINE

### 6×6×6 | SUBMITTAL

File No: 43.508  
 Date: NOV. 26, 2014  
 Supersedes: 43.508  
 Date: APRIL 14, 2014

Job: \_\_\_\_\_ Representative: \_\_\_\_\_  
 \_\_\_\_\_ Ordered by: \_\_\_\_\_ Date: \_\_\_\_\_  
 Engineer: \_\_\_\_\_ Submitted by: \_\_\_\_\_ Date: \_\_\_\_\_  
 Contractor: \_\_\_\_\_ Approved by: \_\_\_\_\_ Date: \_\_\_\_\_

#### PUMP DESIGN DATA

No. of pumps: \_\_\_\_\_ Tag: \_\_\_\_\_  
 Capacity: \_\_\_\_\_ USgpm (L/s) Head: \_\_\_\_\_ ft (m)  
 Liquid: \_\_\_\_\_ Viscosity: \_\_\_\_\_  
 Temperature: \_\_\_\_\_ °F (°C) Specific gravity: \_\_\_\_\_  
 Suction: 6" (150 MM) Discharge: 6" (150 MM)

#### MAXIMUM PUMP OPERATING CONDITIONS

##### ANSI 125

175 psig at 140°F (12 bars at 60°C)  
 100 psig at 300°F (7 bars at 149°C)

##### ANSI 250

375 psig at 100°F (26 bars at 38°C)  
 275 psig at 300°F (19 bars at 149°C)

- See file no. 43.50 for maximum seal operating conditions.
- Coupling guard (not shown) is supplied.
- Tolerance of ±0.125" (±3 mm) should be used
- For exact installation data please write factory for certified dimensions.
- See performance curves on page 3
- Pump equipped with casing drain plug and ¼" NPT suction and discharge gauge ports.

#### MATERIALS OF CONSTRUCTION

ANSI FLANGE RATING	ANSI 125			ANSI 250	
Construction	<input type="checkbox"/> BF	<input type="checkbox"/> AI	<input type="checkbox"/> AB	<input type="checkbox"/> DBF	<input type="checkbox"/> DI
Casing	Cast iron	Cast iron	Bronze	Ductile iron	Ductile iron
Impeller	Bronze	Cast iron	Bronze	Bronze	Cast iron

**Flush line:** Braided stainless steel

**Pump shaft:** 416 stainless steel

**Coupling:** High tensile aluminum

**Gasket:** Confined fiber

#### MOTOR DESIGN DATA

HP: \_\_\_\_\_ RPM: \_\_\_\_\_  
 Frame size: \_\_\_\_\_ Enclosure: \_\_\_\_\_  
 Volts: \_\_\_\_\_ Hertz: 60 Hz  
 Efficiency:  NEMA premium 12.12  Other: \_\_\_\_\_ %  
 Flange size: \_\_\_\_\_ Phase: \_\_\_\_\_

#### MECHANICAL SEAL DESIGN DATA

See file number 43.50 for standard mechanical seal details as indicated below

ARMSTRONG SEAL REFERENCE NUMBER:

c1 (a)  Others: \_\_\_\_\_

#### SEAL DATA OPTIONS

#### OPTIONAL EQUIPMENT

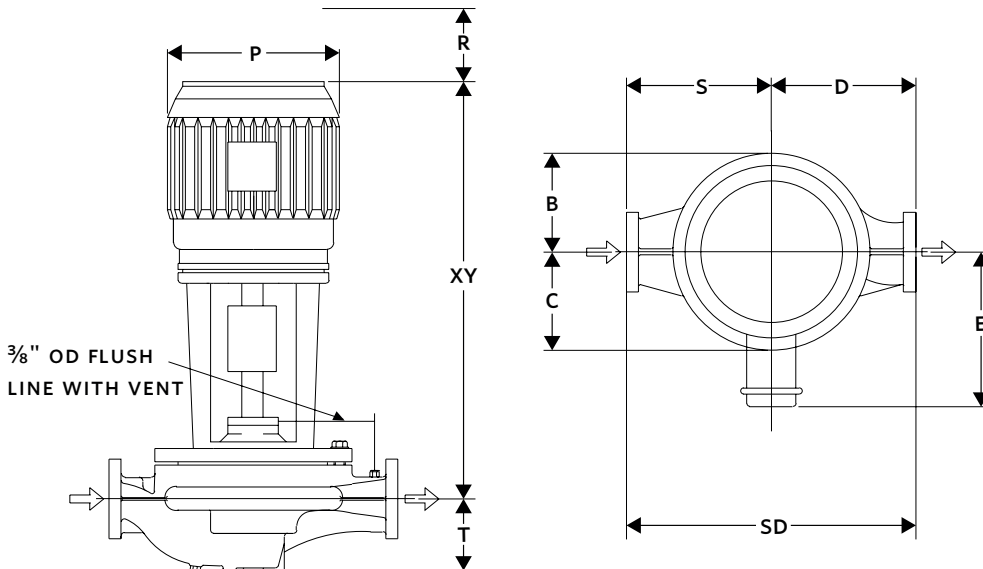
See file no. 43.50 for environmental accessories

MOTOR FRAME	HORSEPOWER @ RPM				DIMENSIONS INCHES (mm)				WEIGHT*	
	ODP		TEFC		ODP/ TEFC				lbs (kgs)	
	1800	1200	1800	1200	E	P	R	XY	ODP	TEFC
145TC	—	1	—	1	6.13 (156)	8.63 (219)	3.00 (80)	24.30 (617)	365 (165.6)	376 (170.6)
182TC	3	1.5	3	1.5	7.50 (191)	10.38 (264)	4.00 (90)	28.81 (732)	388 (176.0)	419 (190.1)
184TC	5	—	5	—	7.50 (191)	10.38 (264)	4.00 (90)	28.81 (732)	400 (181.4)	428 (194.1)
213TC	7.5	2	7.5	2	8.25 (210)	11.25 (286)	4.00 (100)	31.43 (798)	435 (197.3)	485 (220.0)

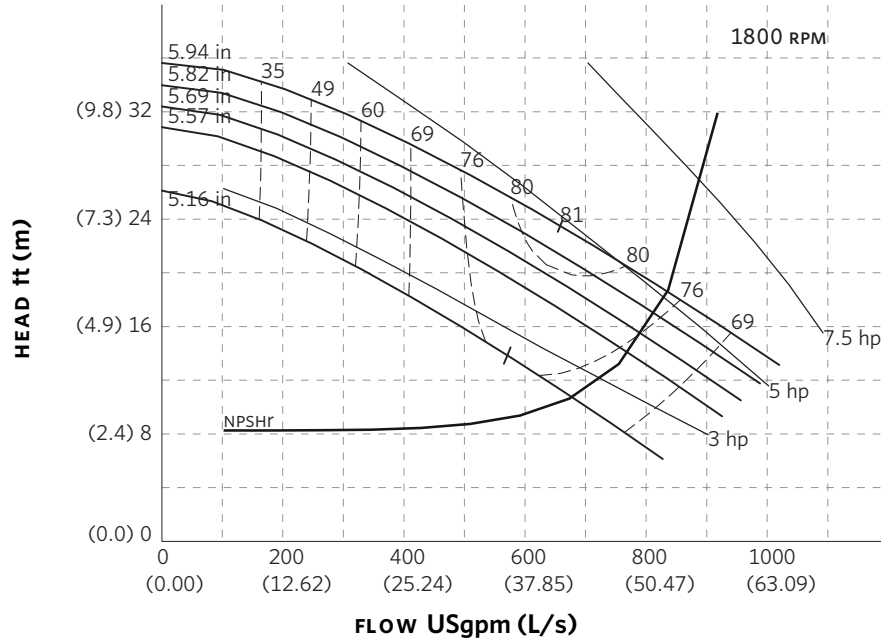
\*Assembly weight combines pump and motor.

**PUMP DIMENSIONS**  
inches (mm)

B	C	D	S	SD	T
8.48 (215)	6.33 (161)	12.00 (305)	17.50 (445)	29.50 (749)	9.68 (246)



## SERIES 4300 PERFORMANCE CURVES



**Curve number**  
PT209-1-0-1800

**Series**  
4300  
4380

**Size**  
6 × 6 × 6

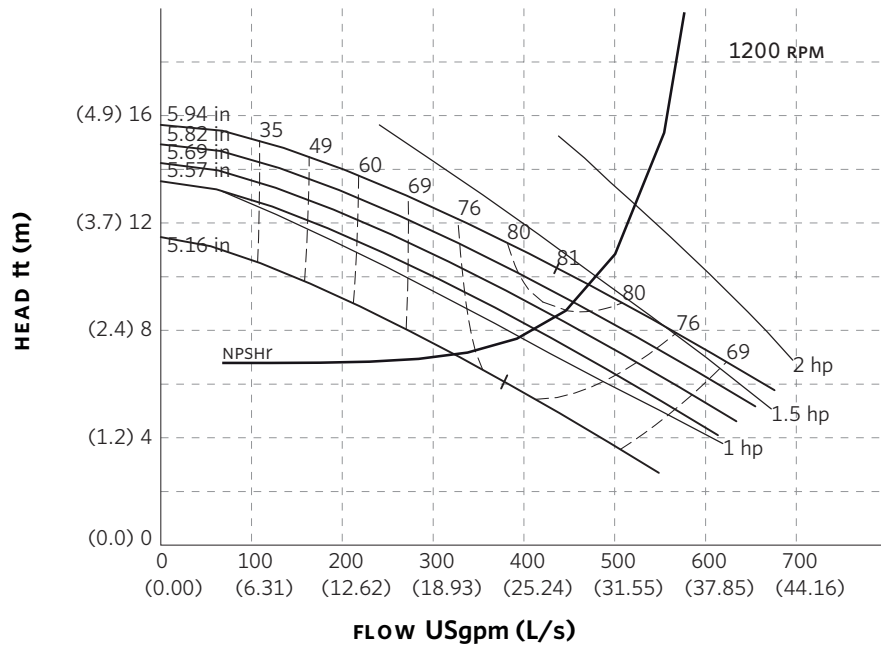
**RPM**  
1800

BHP based on shown  
Fluid's sp. gr.

**Availability**  
4300 all ratings  
4380 all ratings

Performance  
guaranteed only  
at operating point  
indicated

Curve shown for  
clear, cold water  
– SP. GR. 1.000



**Curve number**  
PT209-1-0-1200

**Series**  
4300  
4380

**Size**  
6 × 6 × 6

**RPM**  
1200

BHP based on shown  
Fluid's sp. gr.

**Availability**  
4300 all ratings  
4380 all ratings

Performance  
guaranteed only  
at operating point  
indicated

Curve shown for  
clear, cold water  
– SP. GR. 1.000

Performance curves are for reference only.

Confirm current performance data with Armstrong ACE Online selection software.

**TORONTO**

23 BERTRAND AVENUE  
TORONTO, ONTARIO  
CANADA  
M1L 2P3  
+1 416 755 2291

**BUFFALO**

93 EAST AVENUE  
NORTH TONAWANDA, NEW YORK  
U.S.A.  
14120-6594  
+1 716 693 8813

**BIRMINGHAM**

HEYWOOD WHARF, MUCKLOW HILL  
HALESOWEN, WEST MIDLANDS  
UNITED KINGDOM  
B62 8DJ  
+44 (0) 8444 145 145

**MANCHESTER**

WOLVERTON STREET  
MANCHESTER  
UNITED KINGDOM  
M11 2ET  
+44 (0) 8444 145 145

**BANGALORE**

#59, FIRST FLOOR, 3RD MAIN  
MARGOSA ROAD, MALLESWARAM  
BANGALORE, INDIA  
560 003  
+91 (0) 80 4906 3555

**SHANGHAI**

NO. 1619 HU HANG ROAD, XI DU TOWNSHIP  
FENG XIAN DISTRICT, SHANGHAI  
P.R.C.  
201401  
+86 21 3756 6696

**MAKING  
ENERGY  
MAKE  
SENSE™**