

SERIES 4300 | VERTICAL IN-LINE

12x12x17 | SUBMITTAL

File No: 43.563
 Date: NOV. 26, 2014
 Supersedes: 43.563
 Date: APRIL 14, 2014

Job: _____ Representative: _____
 _____ Ordered by: _____ Date: _____
 Engineer: _____ Submitted by: _____ Date: _____
 Contractor: _____ Approved by: _____ Date: _____

PUMP DESIGN DATA

No. of pumps: _____ Tag: _____
 Capacity: _____ USgpm (L/s) Head: _____ ft (m)
 Liquid: _____ Viscosity: _____
 Temperature: _____ °F (°C) Specific gravity: _____
 Suction: 12" (300 MM) Discharge: 12" (300 MM)

MOTOR DESIGN DATA

HP: _____ RPM: _____
 Frame size: _____ Enclosure: _____
 Volts: _____ Hertz: 60 Hz
 Efficiency: NEMA premium 12.12 Other: _____ %
 Flange size: _____ Phase: _____

MAXIMUM PUMP OPERATING CONDITIONS

ANSI 125

175 psig at 140°F (12 bars at 60°C)
 100 psig at 300°F (7 bars at 149°C)

ANSI 250

375 psig at 100°F (26 bars at 38°C)
 275 psig at 300°F (19 bars at 149°C)

- See file no. 43.50 for maximum seal operating conditions.
- Coupling guard (not shown) is supplied.
- Tolerance of ±0.125" (±3 mm) should be used
- For exact installation data please write factory for certified dimensions.
- See performance curves on page 3
- Pump equipped with casing drain plug and ¼" NPT suction and discharge gauge ports.

MECHANICAL SEAL DESIGN DATA

See file number 43.50 for standard mechanical seal details as indicated below

ARMSTRONG SEAL REFERENCE NUMBER:

c1 (a) Others: _____

SEAL DATA OPTIONS

OPTIONAL EQUIPMENT

See file no. 43.50 for environmental accessories

MATERIALS OF CONSTRUCTION

ANSI FLANGE RATING	ANSI 125			ANSI 250	
Construction	<input type="checkbox"/> BF	<input type="checkbox"/> AI	<input type="checkbox"/> AB	<input type="checkbox"/> DBF	<input type="checkbox"/> DI
Casing	Cast iron	Cast iron	Bronze	Ductile iron	Ductile iron
Impeller	Bronze	Cast iron	Bronze	Bronze	Cast iron

Flush line: Braided stainless steel

Pump shaft: 416 stainless steel

Coupling: High tensile aluminum

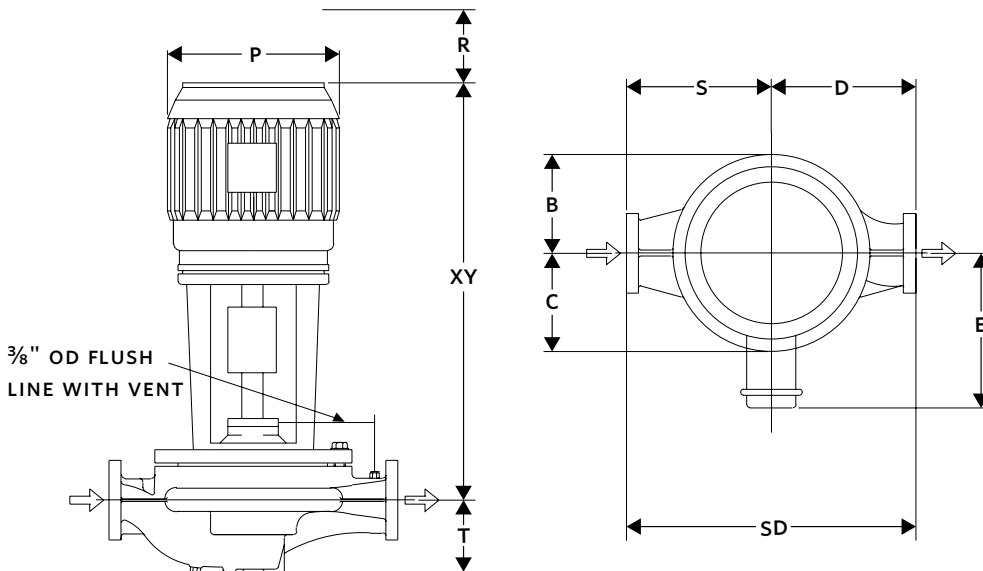
Gasket: Confined fiber

MOTOR FRAME	HORSEPOWER @ RPM				DIMENSIONS INCHES (mm)				ASSEMBLY WEIGHT*	
	ODP		TEFC		ODP/ TEFC				lbs (kgs)	
	1800	1200	1800	1200	E	P	R	XY	ODP	TEFC
404TCZ	—	60	—	60	17.13 (435)	21.19 (538)	6.00 (150)	63.19 (1605)	3339 (1514.5)	3457 (1568.1)
405TCZ	—	75	—	75	17.13 (435)	21.19 (538)	6.00 (150)	63.19 (1605)	3365 (1526.3)	3486 (1581.2)
444TCZ	—	100	—	100	18.63 (473)	23.25 (591)	6.00 (150)	66.94 (1700)	3767 (1708.7)	4131 (1873.8)
445TCZ	200 & 250	125 & 150	—	150	18.63 (473)	23.25 (591)	6.00 (150)	66.94 (1700)	4030 (1828.0)	—
447TCZ	—	—	150 & 200	125	18.63 (473)	23.25 (591)	6.00 (150)	70.44 (1789)	—	3759 (1705.1)
449TCZ	—	—	250	—	18.63 (473)	23.25 (591)	6.00 (150)	70.44 (1789)	—	4030 (1828.0)
TCZ	300 & 350	—	300 & 350	—	26.94 (684)	34.00 (864)	6.00 (150)	81.56 (2072)	4361 (1978.1)	4915 (2229.4)
TCZ	400 - 500	—	400 - 500	—	26.94 (684)	34.00 (864)	6.00 (150)	98.94 (2513)	4765 (2161.4)	5585 (2533.3)

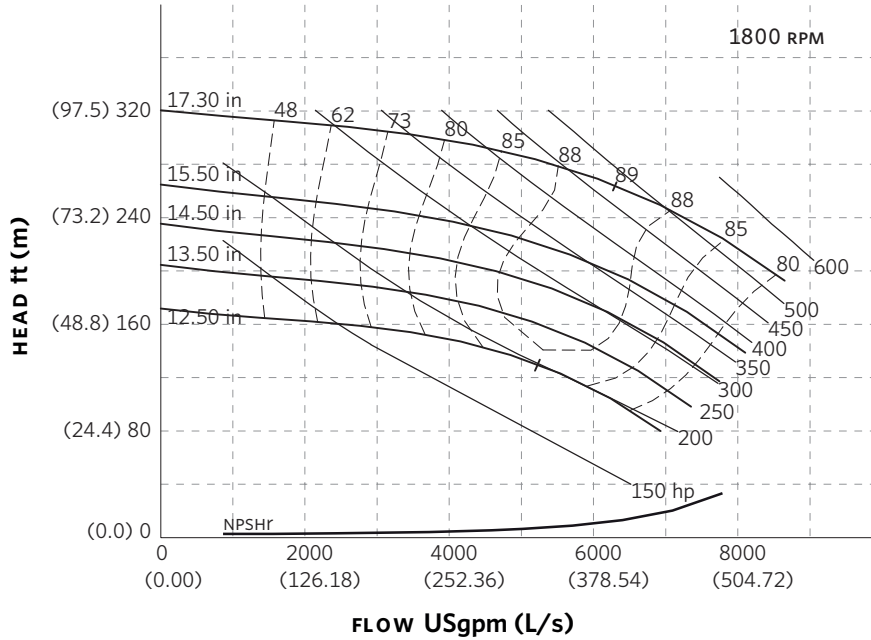
*Assembly weight combines pump and motor.

PUMP DIMENSIONS
inches (mm)

B	C	D	S	SD	T
18.00 (457)	14.00 (356)	27.00 (686)	25.00 (635)	52.00 (1321)	13.75 (349)



SERIES 4300 PERFORMANCE CURVES



Curve number
PT23-3-0-1800

Series
4300

Size
12 × 12 × 17

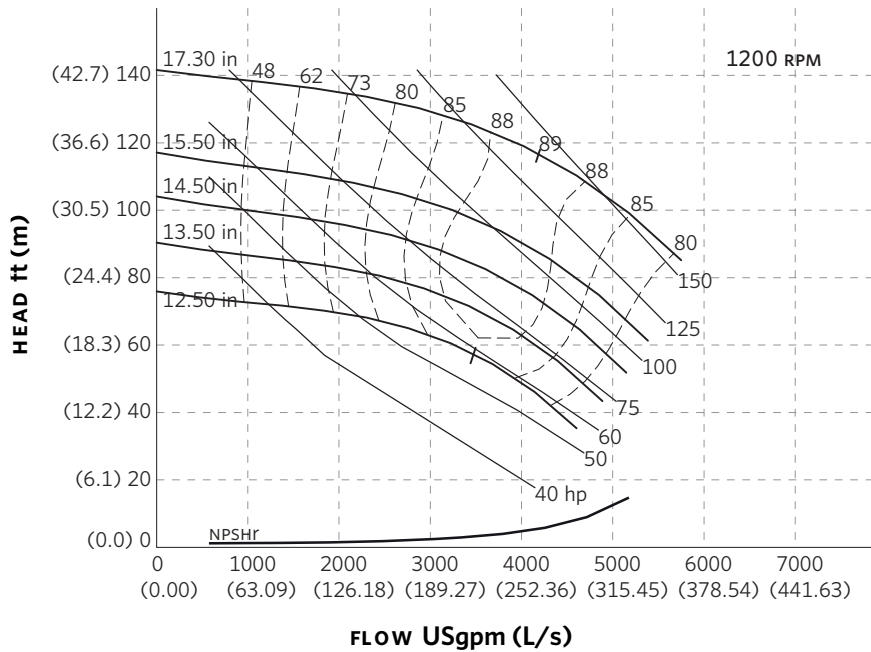
RPM
1800

BHP based on shown
Fluid's sp. gr.

Availability
4300 all ratings

Performance
guaranteed only
at operating point
indicated

Curve shown for
clear, cold water
- SP. GR. 1.000



Curve number
PT23-3-0-1200

Series
4300

Size
12 × 12 × 17

RPM
1200

BHP based on shown
Fluid's sp. gr.

Availability
4300 all ratings

Performance
guaranteed only
at operating point
indicated

Curve shown for
clear, cold water
- SP. GR. 1.000

Performance curves are for reference only.

Confirm current performance data with Armstrong ACE Online selection software.

TORONTO

23 BERTRAND AVENUE
TORONTO, ONTARIO
CANADA
M1L 2P3
+1 416 755 2291

BUFFALO

93 EAST AVENUE
NORTH TONAWANDA, NEW YORK
U.S.A.
14120-6594
+1 716 693 8813

BIRMINGHAM

HEYWOOD WHARF, MUCKLOW HILL
HALESOWEN, WEST MIDLANDS
UNITED KINGDOM
B62 8DJ
+44 (0) 8444 145 145

MANCHESTER

WOLVERTON STREET
MANCHESTER
UNITED KINGDOM
M11 2ET
+44 (0) 8444 145 145

BANGALORE

#59, FIRST FLOOR, 3RD MAIN
MARGOSA ROAD, MALLESWARAM
BANGALORE, INDIA
560 003
+91 (0) 80 4906 3555

SHANGHAI

NO. 1619 HU HANG ROAD, XI DU TOWNSHIP
FENG XIAN DISTRICT, SHANGHAI
P.R.C.
201401
+86 21 3756 6696

**MAKING
ENERGY
MAKE
SENSE™**