

SERIES 4600 | HORIZONTAL SPLIT CASE PUMP 6 × 5 × 9.5M | SUBMITTAL

File No: 46.500
Date: NOVEMBER 28, 2014
Supersedes: 46.500
Date: OCTOBER 15, 2013

Job: _____ Representative: _____

Ordered by: _____ Date: _____

Engineer: _____ Submitted by: _____ Date: _____

Approved by: _____ Date: _____

PUMP DESIGN DATA

No. of pumps: _____ Tag: _____
Capacity: _____ USgpm (L/s) Head: _____ ft (m)
Liquid: _____ Viscosity: _____
Temperature: _____ °F (°C) Specific gravity: _____
Suction: 6" (150 mm) Discharge: 5" (125 mm)

MATERIALS OF CONSTRUCTION

ANSI FLANGE RATING	ANSI 125	ANSI 250
Construction	<input type="checkbox"/> BF	<input type="checkbox"/> BF 250

Casing: Cast iron
Impeller: Bronze
Casing wear ring: Bronze
Gasket: Confined non-asbestos fiber
Bearing frame: Cast iron
Coupler guard: Steel OSHA
Anti-friction bearings: Permanently lubricated
Shaft: Carbon steel
Shaft sleeve: Bronze
Coupler: Constant speed: Woods sure-flex or equal
Variable speed: Woods dura-flex or equal
Baseplate: Fabricated steel

MECHANICAL SEAL DATA

ANSI FLANGE RATING	ANSI 125	ANSI 250
Seal type	A21	ARO
Stationary seat	Silicon carbide	Carbon
Rotating face	Carbon	Durchrome
Secondary seal	EPDM	Viton

Spring: Stainless steel
Rotating hardware: Stainless steel
Gland plate: Bronze

MOTOR DESIGN DATA

HP: _____ RPM: _____
Frame size: _____ Enclosure: _____
Volts: _____ Hertz: 60 Hz Phase: 3
Efficiency: NEMA premium 12.12 Other _____ %

MAXIMUM PUMP OPERATING CONDITIONS

ANSI 125
175 psig at 150°F (12 bars at 65°C)
140 psig at 225°F (10 bars at 107°C)

ANSI 250
300 psig at 150°F (20 bars at 65°C)
250 psig at 250°F (17 bars at 121°C)

- Tolerance of ±0.125" (±3 mm) should be used
- For exact installation, data please write factory for certified dimensions
- See performance curves on page 3

OPTIONAL EQUIPMENT

SUCTION SIDE REQUIREMENT

Important (please select)

Viewed from motor end

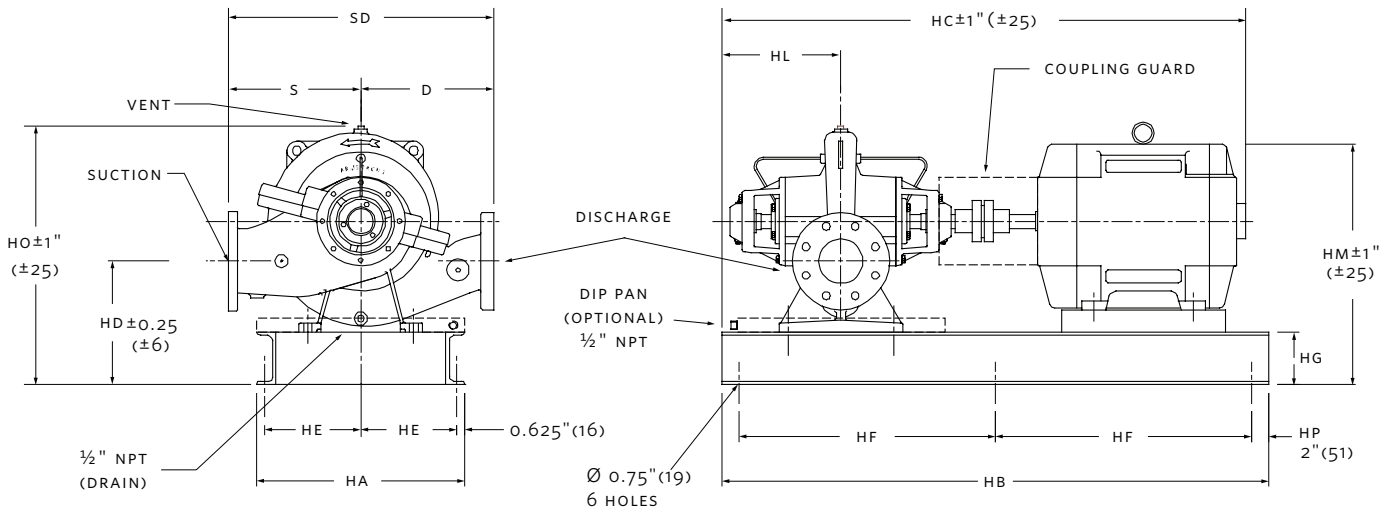
Right hand (illustrated) Left hand

MOTOR FRAME	HORSEPOWER @ RPM				DIMENSIONS INCHES (mm)											WEIGHT*	
	3600		1800	1200	HA	HB	HC		HD	HE	HF	HG	HM		HO	lbs (kgs)	
	ODP	TEFC					ODP	TEFC					ODP	TEFC		ODP	TEFC
213TC	—	—	—	3	16.00 (406)	54.00 (1372)	48.00 (1219)	49.56 (1259)	9.50 (187)	7.38 (375)	25.00 (635)	3.00 (76)	18.69 (475)	19.00 (483)	21.77 (553)	713 (323.4)	776 (352.0)
215TC	—	—	10	5	16.00 (406)	54.00 (1372)	48.00 (1219)	49.56 (1259)	9.50 (187)	7.38 (375)	25.00 (635)	3.00 (76)	18.69 (475)	19.00 (483)	21.77 (553)	770 (349.3)	812 (368.3)
254TC	—	—	5	—	16.00 (406)	54.00 (1372)	53.69 (1364)	55.31 (1405)	9.50 (187)	7.38 (375)	25.00 (635)	3.00 (76)	19.88 (505)	20.00 (508)	21.77 (553)	897 (406.9)	931 (422.3)
364TSC	75	—	—	—	19.00 (483)	64.00 (1626)	58.06 (1475)	60.94 (1548)	10.50 (267)	8.88 (225)	30.00 (762)	4.00 (102)	23.50 (597)	23.50 (597)	22.77 (578)	1495 (678.1)	—
365TSC	100	75	—	—	19.00 (483)	64.00 (1626)	58.06 (1475)	60.94 (1548)	10.50 (267)	8.88 (225)	30.00 (762)	4.00 (102)	23.50 (597)	23.50 (597)	22.77 (578)	1599 (725.3)	1715 (777.9)
404TSC	125	—	—	—	19.00 (483)	64.00 (1626)	61.56 (1564)	65.13 (1654)	10.50 (267)	8.88 (225)	30.00 (762)	4.00 (102)	24.50 (622)	24.50 (622)	22.77 (578)	1745 (791.5)	—
405TSC	—	100 & 125	—	—	19.00 (483)	64.00 (1626)	61.56 (1564)	65.13 (1654)	10.50 (267)	8.88 (225)	30.00 (762)	4.00 (102)	24.50 (622)	24.50 (622)	22.77 (578)	—	2532 (1148.5)
444TSC	—	125	—	—	19.00 (483)	64.00 (1626)	70.12 (1781)	75.89 (1928)	10.50 (267)	8.88 (225)	30.00 (762)	4.00 (102)	27.10 (688)	27.10 (688)	22.77 (578)	—	2532 (1148.5)

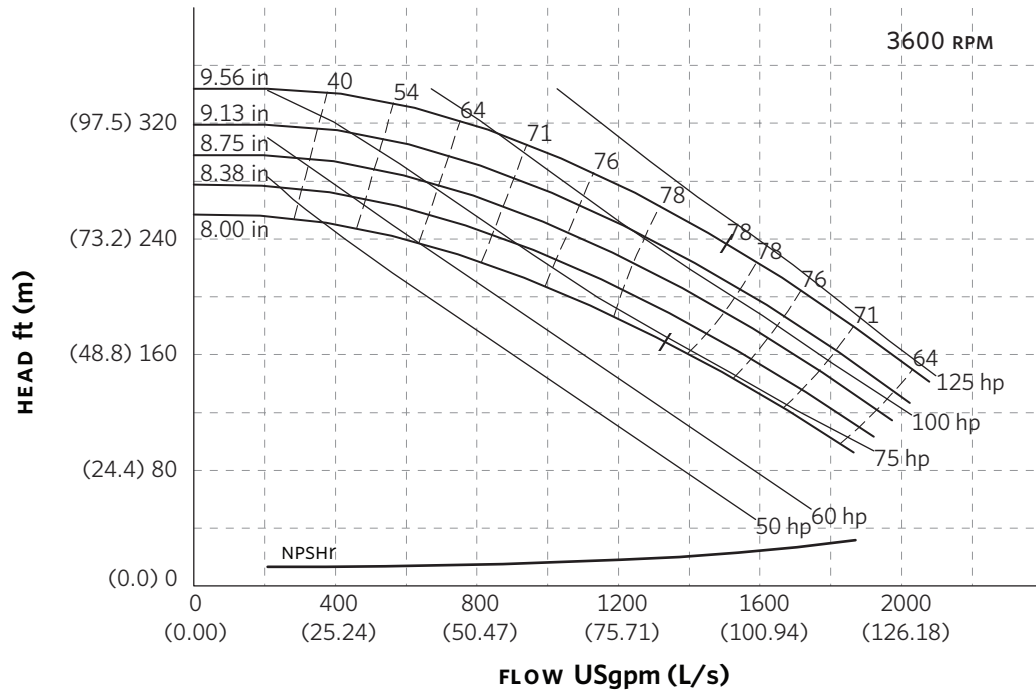
PUMP DIMENSIONS
inches (mm)

HL	S	D
13.50 (343)	12.00 (305)	12.00 (305)

*Assembly weight combines pump and motor.



SERIES 4600 PERFORMANCE CURVES



Curve number
PT186-0-0-3600

Series
4600

Size
6 × 5 × 9.5M

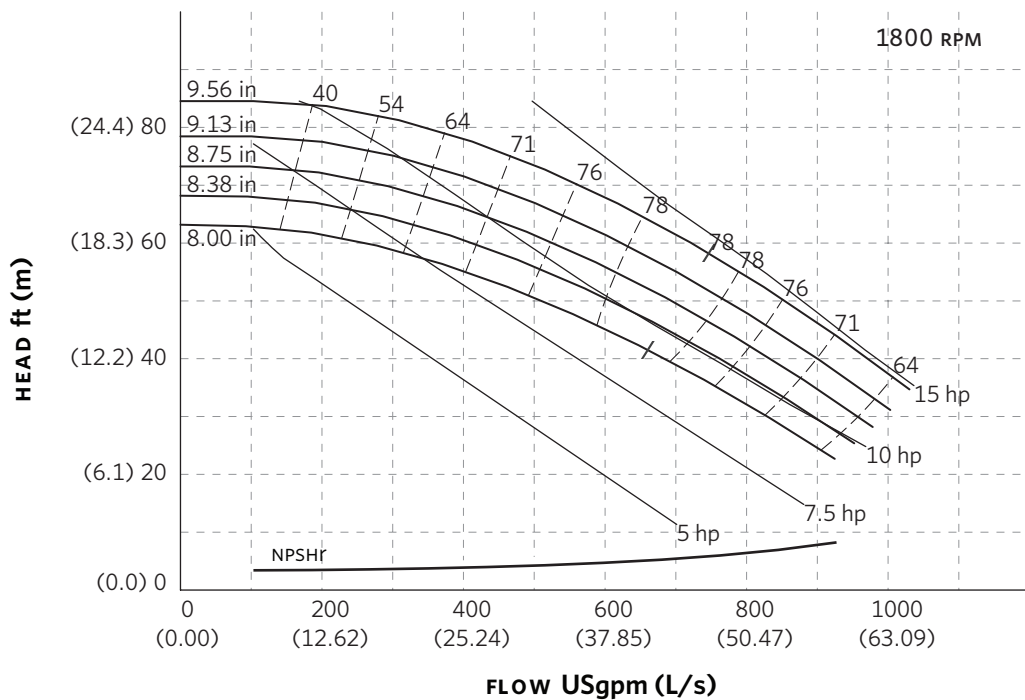
RPM
3600

BHP based on shown
Fluid's sp. gr.

Availability
4600 all ratings

Performance
guaranteed only at
operating point
indicated.

Curve shown for
clear, cold water
- SP. GR. 1.000



Curve number
PT186-0-0-1800

Series
4600

Size
6 × 5 × 9.5M

RPM
1800

BHP based on shown
Fluid's sp. gr.

Availability
4600 all ratings

Performance
guaranteed only at
operating point
indicated.

Curve shown for
clear, cold water
- SP. GR. 1.000

Performance curves are for reference only.

Confirm current performance data with Armstrong ACE Online selection software.

TORONTO

23 BERTRAND AVENUE
TORONTO, ONTARIO
CANADA
M1L 2P3
+1 416 755 2291

BUFFALO

93 EAST AVENUE
NORTH TONAWANDA, NEW YORK
U.S.A.
14120-6594
+1 716 693 8813

BIRMINGHAM

HEYWOOD WHARF, MUCKLOW HILL
HALESOWEN, WEST MIDLANDS
UNITED KINGDOM
B62 8DJ
+44 (0) 8444 145 145

MANCHESTER

WENLOCK WAY
MANCHESTER
UNITED KINGDOM
M12 5JL
+44 (0) 8444 145 145

BANGALORE

#59, FIRST FLOOR, 3RD MAIN
MARGOSA ROAD, MALLESWARAM
BANGALORE, INDIA
560 003
+91 (0) 80 4906 3555

SHANGHAI

NO. 1619 HU HANG ROAD, XI DU TOWNSHIP
FENG XIAN DISTRICT, SHANGHAI
P.R.C.
201401
+86 21 3756 6696

ARMSTRONG FLUID TECHNOLOGY
ESTABLISHED 1934

ARMSTRONGFLUIDTECHNOLOGY.COM

**MAKING
ENERGY
MAKE
SENSE™**