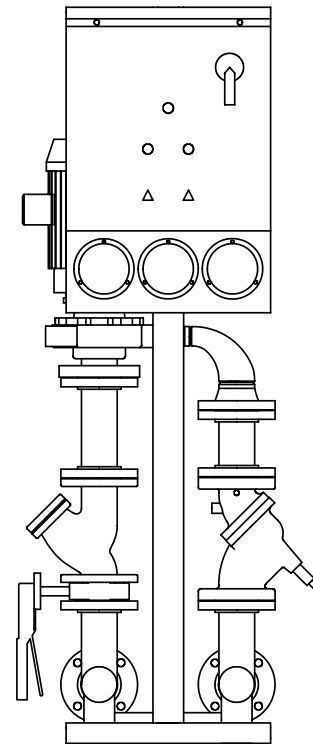
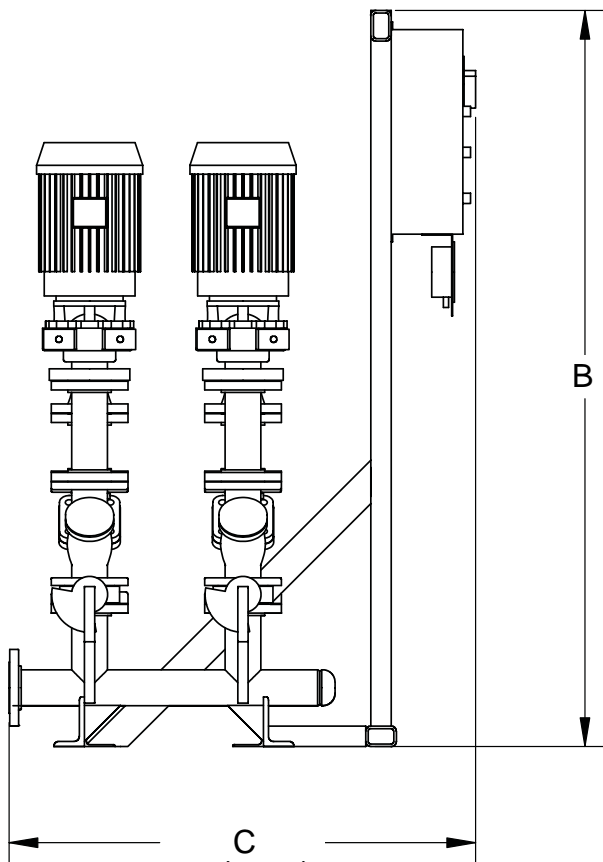
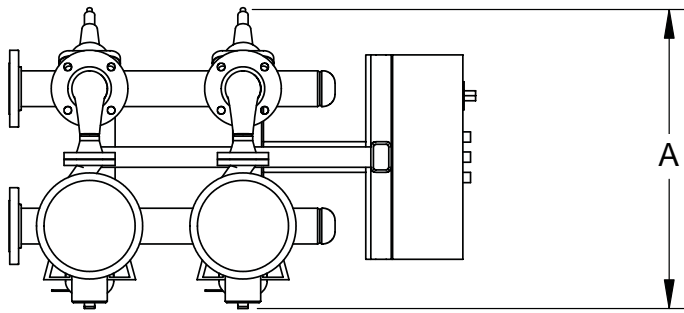


ARMPak 3 - 4280V Fixed Speed

SUBMITTAL



DIMENSIONS inches (mm)		
A (max.)	B	C (max.)
32.25 (819)	72.00 (1829)	46.00 (1168)

PROJECT:	DATE:	
ORDER NO.:	DWG #:	DATE: 07/04/03
CERTIFIED BY:	ARMPak 3 DS 8 FS 0105	REVISED:

Armstrong Pumps Inc.
 93 East Avenue
 North Tonawanda, New York
 U.S.A. 14120-6594
 Tel: (716) 693-8813
 Fax: (716) 693-8970
 www.armstrongpumps.com

S.A. Armstrong Limited
 23 Bertrand Avenue
 Toronto, Ontario
 Canada, M1L 2P3
 Tel: (416) 755-2291
 Fax: (416) 759-9101



© S.A. Armstrong Limited 2003

Armstrong Pumps Limited
 Peartree Road, Stanway
 Colchester, Essex
 United Kingdom, CO3 0LP
 Tel: +44 (0) 1206 579491
 Fax: +44 (0) 1206 760532

Armstrong Darling
 9001 De L'Innovation, Suite 200
 Montreal, Quebec
 Canada, H1J 2X9
 Tel: (514) 352-2424
 Fax: (514) 352-2425

