

CIRCUIT BALANCING VALVES | MINI SWEAT | MODEL CBV-MS (1/2" and 3/4") | SUBMITTAL

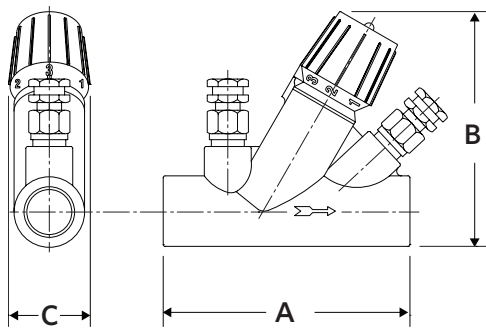
File no: 36.50
Date: JUNE 22, 2023
Supersedes: 36.50
Date: JUNE 30, 2016

Job: _____ Representative: _____
 _____ Ordered by: _____ Date: _____
 Engineer: _____ Submitted by: _____ Date: _____
 Contractor: _____ Approved by: _____ Date: _____

MODEL NUMBER	QUANTITY REQUIRED	IDENTIFICATION

SPECIFICATION

Connection: Solder Joint
Material of Construction: Brass
Maximum Working Pressure: 300 psi (2068 kPa)
Maximum Operating Temperature: 250°F (121°C)
Handwheel: 1 Turn 360°



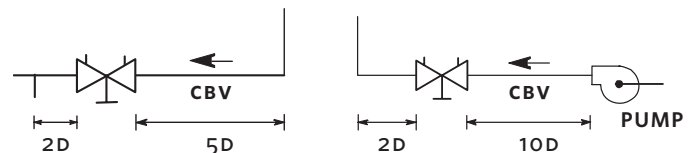
DIMENSIONS

MODEL	PIPE SIZE	A	B	C	WEIGHT
CBV-1/2" MS	1/2"	3.12 (79)	3.53 (90)	1.34 (34)	1.1 (0.5)
CBV-3/4" MS	3/4"	3.78 (96)	3.62 (92)	1.34 (34)	1.19 (0.54)

- NOTE:** All dimensions are in inches (mm) and weights in lbs. (kg)
- Solder style models are supplied unassembled. Valve body must be soldered in the line before assembly.
 - Refer to Cv curves for sizing and balancing, giving pressure drop at different settings and flow rates.
 - Suggested meters for use in conjunction with Armstrong CBV's are the CBM-60 and CBVM-135/60
 - All valves furnished with probe metering ports.

INSTALLATION

Generally locate the valve five pipe diameters downstream from a fitting, with two diameters downstream from the balancing valve free from fittings. If a balancing valve is located downstream from a circulation pump, allow a distance of 10 diameters between the pump and balancing valves (as illustrated).



Cv Values

NO. OF TURNS	1/2" MS	3/4" MS
0.2	0.10	1.50
0.3	0.55	1.88
0.4	1.06	2.15
0.5	1.47	2.42
0.6	1.70	2.85
0.7	1.85	3.28
0.8	2.03	3.50
0.9	2.28	3.60

TORONTO

23 BERTRAND AVENUE,
TORONTO, ONTARIO,
CANADA, M1L 2P3
+1 416 755 2291

BUFFALO

93 EAST AVENUE, NORTH
TONAWANDA, NEW YORK,
U.S.A., 14120-6594
+1 716 693 8813

DROITWICH SPA

POINTON WAY, STONEBRIDGE CROSS
BUSINESS PARK, DROITWICH SPA,
WORCESTERSHIRE,
UNITED KINGDOM, WR9 0LW
+44 121 550 5333

MANCHESTER

WOLVERTON STREET, MANCHESTER
UNITED KINGDOM, M11 2ET
+44 161 223 2223

BANGALORE

#18, LEWIS WORKSPACE, 3RD FLOOR,
OFF MILLERS - NANDIDURGA ROAD,
JAYAMAHAL CBD, BENSON TOWN,
BANGALORE, INDIA 560 046
+91 80 4906 3555

SHANGHAI

UNIT 903, 888 NORTH SICHUAN RD.
HONGKOU DISTRICT, SHANGHAI
CHINA, 200085
+86 21 5237 0909

BEIJING

ROOM 1612, NANYIN BUILDING NO.2
NORTH EAST THRID RING ROAD
CHAOYANG DISTRICT, BEIJING,
CHINA 100027
+86 21 5237 0909

SÃO PAULO

RUA JOSÉ SEMIÃO RODRIGUES
AGOSTINHO, 1370 GALPÃO 6 EMBU
DAS ARTES, SAO PAULO, BRAZIL
+55 11 4785 1330

LYON

93 RUE DE LA VILLETTE
LYON, 69003 FRANCE
+33 4 26 83 78 74

DUBAI

JAFZA VIEW 19, OFFICE 402
P.O. BOX 18226 JAFZA,
DUBAI - UNITED ARAB EMIRATES
+971 4 887 6775

JIMBOLIA

STR CALEA MOTILOR NR. 2C
JIMBOLIA 305400, JUD.TIMIS
ROMANIA
+40 256 360 030

ARMSTRONG FLUID TECHNOLOGY®
ESTABLISHED 1934

ARMSTRONGFLUIDTECHNOLOGY.COM