

## MINIMUM FITTINGS | SUBMITTAL DRAWING

File No: F43.450  
 Date: OCTOBER 26, 2021  
 Supersedes: F43.450  
 Date: NOVEMBER 17, 2016

Job: \_\_\_\_\_ Representative: \_\_\_\_\_  
 \_\_\_\_\_ Order No: \_\_\_\_\_ Date: \_\_\_\_\_  
 Engineer: \_\_\_\_\_ Submitted by: \_\_\_\_\_ Date: \_\_\_\_\_  
 Contractor: \_\_\_\_\_ Approved by: \_\_\_\_\_ Date: \_\_\_\_\_

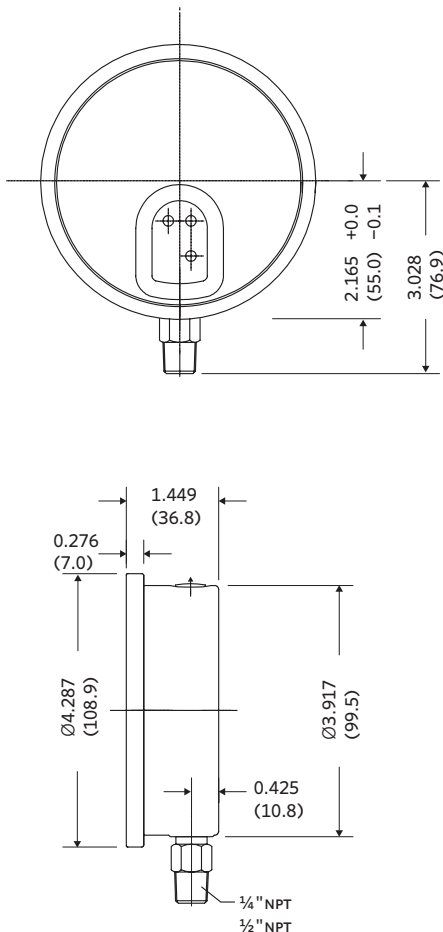
PUMP	ELECTRIC	DIESEL
HSC	<input type="checkbox"/> Includes: Gauges, ARV and Pump Casing (Circulating) relief valve	<input type="checkbox"/> Includes: Gauges and ARV
ES	<input type="checkbox"/> Optional: Gauges and Pump Casing (Circulating) relief valve	<input type="checkbox"/> Includes: Gauges
VIL	<input type="checkbox"/> Optional: Gauges and Pump Casing (Circulating) relief valve	<input type="checkbox"/> N/A



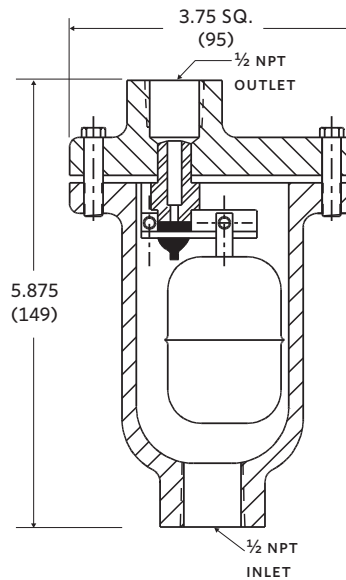
NOTE: UL & FM only for Air release valve & Casing Relief valves

### GLYCERINE FILL DISCHARGE GAUGE

4" bottom connection with optional back flange



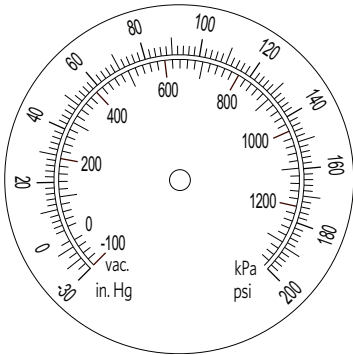
### AIR RELEASE VALVE (ARV)



### AIR RELEASE VALVE

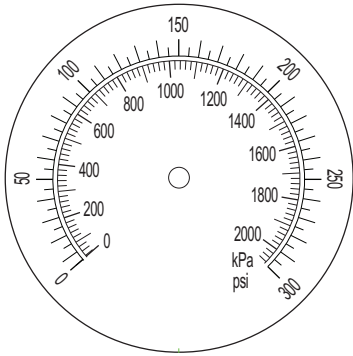
SIZE	PART NUMBER
1/2"	D101471-000

**GLYCERINE FILL SUCTION GAUGE**



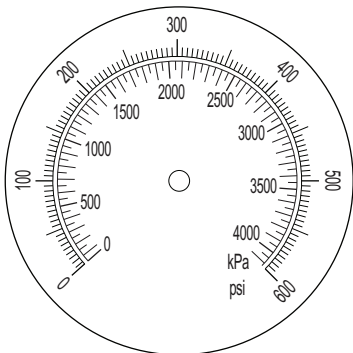
GAUGE	PART NUMBER
Glycerine fill suction gauge	975005 -316

**STANDARD PRESSURE DISCHARGE GAUGE**



PRESSURE	DISCHARGE GAUGE	PART NUMBER
< 150	0-300 psi	975005-320

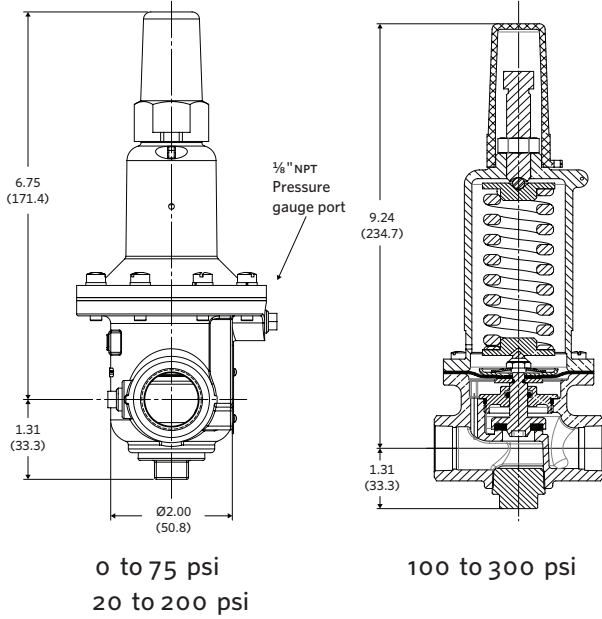
**HIGH PRESSURE DISCHARGE GAUGE**



PRESSURE	DISCHARGE GAUGE	PART NUMBER
> 150	0-600 psi	975005-312

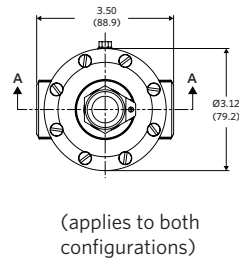
**PUMP CASING (CIRCULATION) RELIEF VALVE**

**DIMENSION (3/4")**

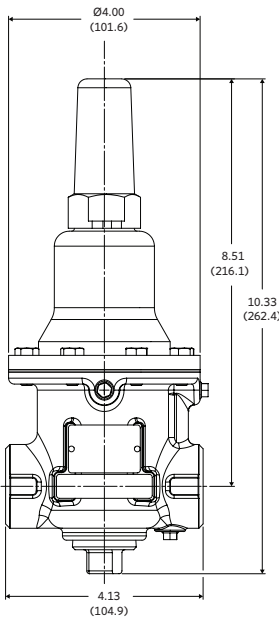


**FOR PUMP SIZE OF 0-2500 USGPM - 3/4"**

RANGE	APPROVAL	A	PART NUMBER
10-75	UL/FM	6.75 (171)	426595-100L
20-200	UL/FM	6.75 (171)	426595-100M
100-300	UL/FM	9.24 (235)	426595-100H



**DIMENSION (1")**



**FOR PUMP SIZE OF 3000-5000 USGPM - 1"**

RANGE	APPROVAL	A	PART NUMBER
40-200	UL/FM	8.51 (216)	426595- 200

**NOTE:**

- As per NFPA Section 4.12
- Dimensions are not used for construction purposes unless certified.
- Data subject to change without notice.
- All dimensions are in inches (mm)

**TORONTO**

23 BERTRAND AVENUE  
TORONTO, ONTARIO  
CANADA, M1L 2P3  
+1 416 755 2291

**BUFFALO**

93 EAST AVENUE  
NORTH TONAWANDA, NEW YORK  
U.S.A., 14120-6594  
+1 716 693 8813

**DROITWICH SPA**

POINTON WAY,  
STONEBRIDGE CROSS BUSINESS PARK  
DROITWICH SPA, WORCESTERSHIRE  
UNITED KINGDOM, WR9 0LW  
+44 8444 145 145

**MANCHESTER**

WOLVERTON STREET  
MANCHESTER  
UNITED KINGDOM, M11 2ET  
+44 8444 145 145

**BANGALORE**

#59, FIRST FLOOR, 3RD MAIN  
MARGOSA ROAD, MALLESWARAM  
BANGALORE, INDIA, 560 003  
+91 80 4906 3555

**SHANGHAI**

UNIT 903, 888 NORTH SICHUAN RD.  
HONGKOU DISTRICT, SHANGHAI  
CHINA, 200085  
+86 21 5237 0909

**SÃO PAULO**

RUA JOSÉ SEMIÃO RODRIGUES AGOSTINHO,  
1370 GALPÃO 6 EMBU DAS ARTES  
SAO PAULO, BRAZIL  
+55 11 4785 1330

**LYON**

93 RUE DE LA VILLETTE  
LYON, 69003 FRANCE  
+33 4 26 83 78 74

**DUBAI**

JAFZA VIEW 19, OFFICE 402  
P.O.BOX 18226 JAFZA,  
DUBAI - UNITED ARAB EMIRATES  
+971 4 887 6775

**MANNHEIM**

DYNAMOSTRASSE 13  
68165 MANNHEIM  
GERMANY  
+49 621 3999 9858

**JIMBOLIA**

STR CALEA MOTILOR NR. 2C  
JIMBOLIA 305400, JUD.TIMIS  
ROMANIA  
+40 256 360 030

ARMSTRONG FLUID TECHNOLOGY  
ESTABLISHED 1934

ARMSTRONGFLUIDTECHNOLOGY.COM