

## FUEL SYSTEM | DOUBLE WALL TANK | SUBMITTAL DRAWING

File No: F43-458  
Date: JUNE 19, 2024  
Supersedes: F43-458  
Date: JUNE 28, 2023

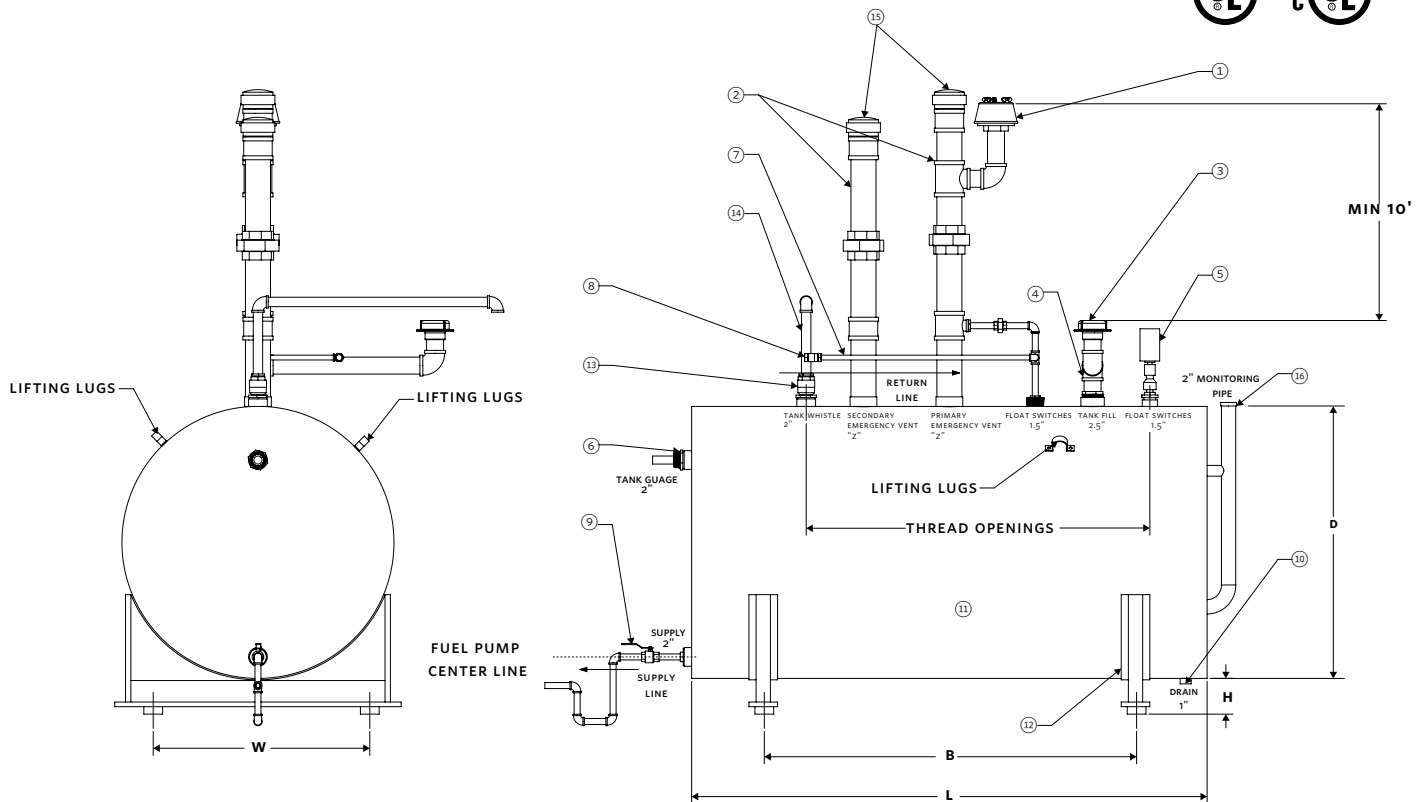
Job: \_\_\_\_\_ Representative: \_\_\_\_\_

Order No: \_\_\_\_\_ Date: \_\_\_\_\_

Engineer: \_\_\_\_\_ Submitted by: \_\_\_\_\_ Date: \_\_\_\_\_

Contractor: \_\_\_\_\_ Approved by: \_\_\_\_\_ Date: \_\_\_\_\_

**NOTE:** As per NFPA 20, 2022 section 11.4.1.3.1



### LIST OF MATERIALS

ITEM	DESCRIPTION	PART NUMBER
1*	FLAME ARRESTER	101345
2	VENT PIPE - (REF: Z DIMENSIONS)	By Others
3*	FILL CAP	With Tank
4	FILL PIPE - 2" (51 mm)	By Others
5	FUEL LEVEL SWITCH	By Others
6*	LEVEL GAUGE	With Tank
7	FUEL LINE	By Others
8*	CHECK VALVE	D975040-701

ITEM	DESCRIPTION	PART NUMBER
9*	MANUAL VALVE (NOTE 1)	D975060-702
10*	DRAIN PLUG - 1" NPT (NOTE 2)	With Tank
11*	FUEL TANK (NOTE 4)	With Tank
12*	TANK SUPPORT	With Tank
13*	TANK WHISTLE	D145901-000
14	1 1/4" VENT PIPE	By Others
15*	EMERGENCY VENT CAP	With Tank
16*	2" MONITORING PIPE	With Tank

\*Supplied by pump manufacturer

**TANK DIMENSIONS AND WEIGHTS**

PART NUMBER	TANK CAPACITY Usgal (ltrs)	DIMENSIONS in inch (mm)						WEIGHT lbs. (kg)
		B	D	H	L	W	Z	
D145004-001	120(454)	24.00(610)	28.00(711)	4.75(121)	45.00(1143)	26.75(679)	3.00(75)	347(156.0)
D145004-003	180(680)	40.00(1016)	30.00(762)	4.75(121)	60.00(1524)	27.25(692)	3.00(75)	472(212.0)
D145004-005	240(907)	29.00(737)	38.00(965)	4.75(121)	49.00(1245)	30.25(768)	3.00(75)	545(245.0)
D145004-007	300(1134)	41.00(1041)	38.00(965)	4.75(121)	61.00(1549)	30.25(768)	3.00(75)	621(279.0)
D145004-009	350(1323)	52.00(1321)	38.00(965)	4.75(121)	72.00(1829)	30.25(768)	3.00(75)	694(312.0)
D145004-011	500(1890)	44.00(1118)	48.00(1219)	4.75(121)	64.00(1626)	37.75(959)	4.00(100)	864(389.0)
D145004-013	750(2835)	72.00(1829)	48.00(1219)	4.75(121)	96.00(2438)	37.75(959)	4.00(100)	1282(577.0)
D145004-015	1000(3780)	104.00(2642)	48.00(1219)	4.75(121)	128.00(3251)	37.75(959)	6.00(150)	1586(714.0)

**NOTE:**

- 1 Manual valve must be locked open or central station supervised.
- 2 A 1" drain valve must be used instead of drain plug when not subject to freezing.
- 3 Tank size as per NFPA20 2022 section 11.4.1.3.1
- 4 Tank is designed, fabricated, tested and labeled per UL 142 & ULCS601-07.
- 5 2" pipe leg and diesel fuel supplied by others.
- 6 Dimensions are not used for construction purposes unless certified. Data subject to change without notice.

**TORONTO**

+1 416 755 2291

**BUFFALO**

+1 716 693 8813

**DROITWICH SPA**

+44 121 550 5333

**MANCHESTER**

+44 161 223 2223

**BANGALORE**

+91 80 4906 3555

**SHANGHAI**

+86 21 5237 0909

**BEIJING**

+86 21 5237 0909

**SÃO PAULO**

+55 11 4785 1330

**LYON**

+33 4 20 10 26 21

**DUBAI**

+971 4 887 6775

**JIMBOLIA**

+40 256 360 030

**FRANKFURT**

+49 6173 999 77 55