

END SUCTION PUMP | SERIES 40PF | ELECTRIC DRIVEN | 8x5x11.5FM | SUBMITTAL

File No: F40.606
Date: AUGUST 10, 2016
Supersedes: F40.612
Date: NOVEMBER 29, 2010

Job: _____ Representative: _____
 _____ Order no.: _____ Date: _____
 Engineer: _____ Submitted by: _____ Date: _____
 Contractor: _____ Approved by: _____ Date: _____

PUMP DESIGN DATA

Flow: _____
 Head: _____

MOTOR DATA

HP: _____ RPM: _____
 Volt: _____ ph: _____ Hz: _____

TAG/REF: _____

SPECIAL STARTING: _____

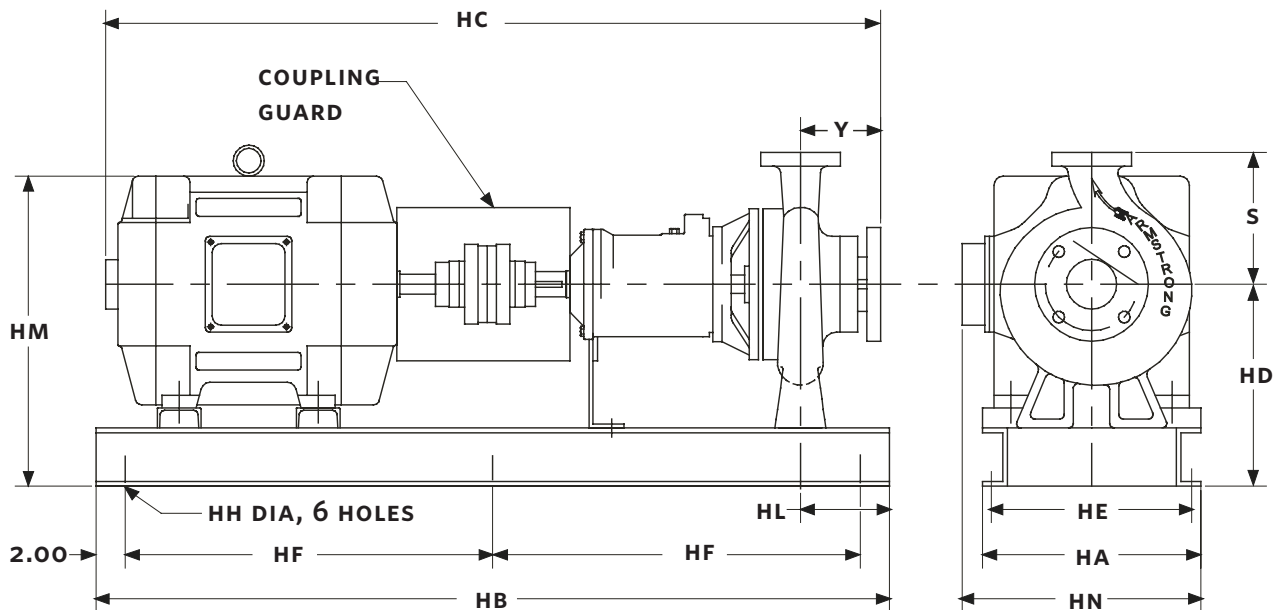
ENCLOSURE: _____

FLANGE RATING

- ANSI 125# STD
- ANSI 250#
- PN16

FIRE PUMP LISTING

- UL
- ULC
- FM



SUBMITTAL
8x5x11.5FM

Series 40PF End suction pump
Electric driven

2

| MOTOR FRAME | DIMENSIONS in inches (mm) | | | | | | | | | | | | | WEIGHT in lbs (kgs) |
|----------------|---------------------------|-----------------|-----------------|----------------|----------------|----------------|--------------|---------------|----------------|----------------|----------------|----------------|---------------|------------------------|
| | HA | HB | HC | HD | HE | HF | HH | HL | HM | HN | S | X | Y | |
| 284TS | 23.00 (584) | 75.00 (1905) | 52.80 (1341) | 19.18 (487) | 21.50 (546) | 35.50 (902) | 0.88 (22) | 6.50 (165) | 25.40 (645) | 23.25 (591) | 14.00 (356) | 11.50 (292) | 6.00 (152) | 1257 (570.2) |
| 286TS | 23.00 (584) | 75.00 (1905) | 52.80 (1341) | 19.18 (487) | 21.50 (546) | 35.50 (902) | 0.88 (22) | 6.50 (165) | 25.40 (645) | 23.25 (591) | 14.00 (356) | 11.50 (292) | 6.00 (152) | 1257 (570.2) |
| 324TS | 23.00 (584) | 75.00 (1905) | 54.80 (1392) | 19.18 (487) | 21.50 (546) | 35.50 (902) | 0.88 (22) | 6.50 (165) | 26.68 (678) | 26.13 (664) | 14.00 (356) | 11.50 (292) | 6.00 (152) | 1607 (728.9) |
| 326TS | 23.00 (584) | 75.00 (1905) | 54.80 (1392) | 19.18 (487) | 21.50 (546) | 35.50 (902) | 0.88 (22) | 6.50 (165) | 26.68 (678) | 26.13 (664) | 14.00 (356) | 11.50 (292) | 6.00 (152) | 1607 (728.9) |
| 364TS | 23.00 (584) | 75.00 (1905) | 56.61 (1438) | 19.18 (487) | 21.50 (546) | 35.50 (902) | 0.88 (22) | 6.50 (165) | 27.68 (703) | 27.88 (708) | 14.00 (356) | 11.50 (292) | 6.00 (152) | 2033 (922.1) |
| 365TS | 23.00 (584) | 75.00 (1905) | 56.61 (1438) | 19.18 (487) | 21.50 (546) | 35.50 (902) | 0.88 (22) | 6.50 (165) | 27.68 (703) | 27.88 (708) | 14.00 (356) | 11.50 (292) | 6.00 (152) | 2033 (922.1) |
| 404TS | 23.00 (584) | 75.00 (1905) | 64.64 (1642) | 19.18 (487) | 21.50 (546) | 35.50 (902) | 0.88 (22) | 6.50 (165) | 28.68 (728) | 25.91 (658) | 14.00 (356) | 11.50 (292) | 6.00 (152) | 2118 (960.7) |
| 405TS | 23.00 (584) | 75.00 (1905) | 64.64 (1642) | 19.18 (487) | 21.50 (546) | 35.50 (902) | 0.88 (22) | 6.50 (165) | 28.68 (728) | 25.91 (658) | 14.00 (356) | 11.50 (292) | 6.00 (152) | 2118 (960.7) |
| 444TS | 23.00 (584) | 75.00 (1905) | 69.59 (1768) | 19.18 (487) | 21.50 (546) | 35.50 (902) | 0.88 (22) | 6.50 (165) | 30.89 (785) | 30.71 (780) | 14.00 (356) | 11.50 (292) | 6.00 (152) | 2730 (1238.3) |
| 445TS | 23.00 (584) | 75.00 (1905) | 69.59 (1768) | 19.18 (487) | 21.50 (546) | 35.50 (902) | 0.88 (22) | 6.50 (165) | 30.89 (785) | 30.71 (780) | 14.00 (356) | 11.50 (292) | 6.00 (152) | 2730 (1238.3) |
| 447TS | 23.00 (584) | 75.00 (1905) | 73.11 (1857) | 19.18 (487) | 21.50 (546) | 35.50 (902) | 0.88 (22) | 6.50 (165) | 30.89 (785) | 30.87 (784) | 14.00 (356) | 11.50 (292) | 6.00 (152) | 3160 (1433.3) |
| 449TS | 23.00 (584) | 75.00 (1905) | 80.79 (2052) | 19.18 (487) | 21.50 (546) | 35.50 (902) | 0.88 (22) | 6.50 (165) | 31.21 (793) | 31.55 (801) | 14.00 (356) | 11.50 (292) | 6.00 (152) | 3160 (1433.3) |

TORONTO
+1 416 755 2291

BUFFALO
+1 716 693 8813

BIRMINGHAM
+44 (0) 8444 145 145

MANCHESTER
+44 (0) 8444 145 145

BANGALORE
+91 (0) 80 4906 3555

SHANGHAI
+86 21 3756 6696

SÃO PAULO
+55 11 4781 5500

ARMSTRONG FLUID TECHNOLOGY
ESTABLISHED 1934

ARMSTRONGFLUIDTECHNOLOGY.COM