

END SUCTION PUMP | SERIES 40PF | ELECTRIC DRIVEN | 6x5x13FM | SUBMITTAL

File No: F40.610
Date: AUGUST 10, 2016
Supersedes: F40.613
Date: MARCH 19, 2013

Job: _____ Representative: _____
 _____ Order no.: _____ Date: _____
 Engineer: _____ Submitted by: _____ Date: _____
 Contractor: _____ Approved by: _____ Date: _____

PUMP DESIGN DATA

Flow: _____
 Head: _____

MOTOR DATA

HP: _____ RPM: _____
 Volt: _____ ph: _____ Hz: _____

TAG/REF: _____

SPECIAL STARTING: _____

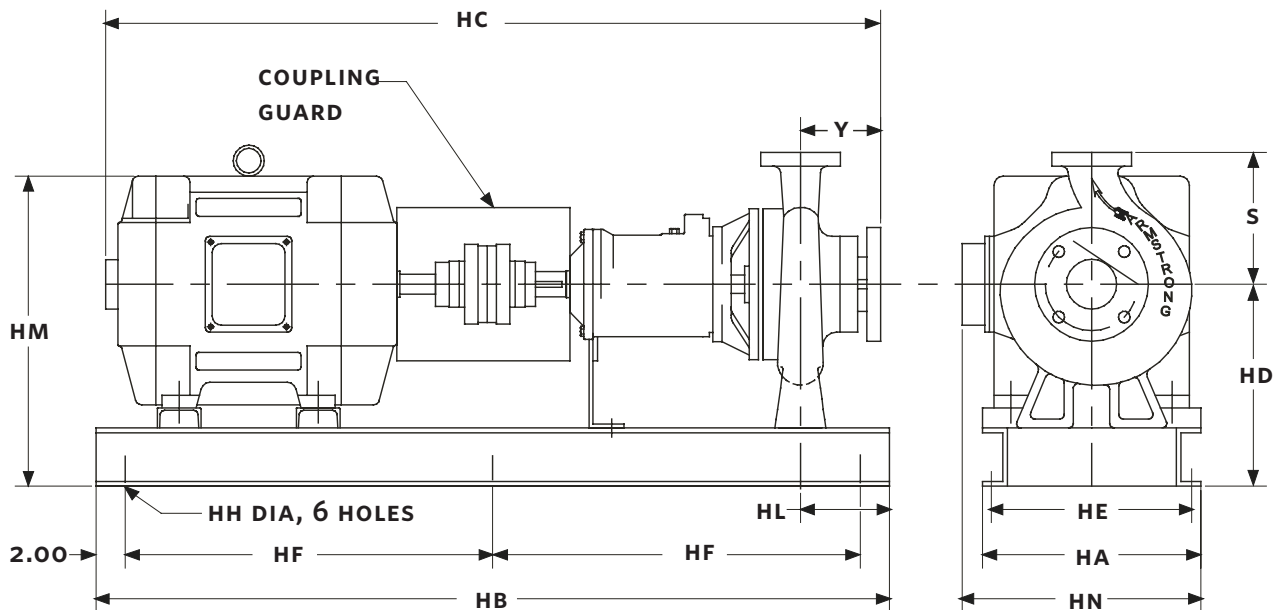
ENCLOSURE: _____

FLANGE RATING

- ANSI 125# STD
- ANSI 250#
- PN16

FIRE PUMP LISTING

- UL
- ULC
- FM



SUBMITTAL
6×5×13FM

Series 40PF End suction pump
Electric driven

2

MOTOR FRAME	DIMENSIONS in inches (mm)													WEIGHT in lbs (kgs)
	HA	HB	HC	HD	HE	HF	HH	HL	HM	HN	S	X	Y	
254TS	25.00 (635)	70.00 (1778)	53.18 (1351)	15.02 (382)	23.75 (603)	33.00 (838)	0.75 (19)	6.80 (173)	20.90 (531)	22.25 (565)	13.98 (355)	12.50 (318)	6.30 (160)	1064 (482.6)
256TS	25.00 (635)	70.00 (1778)	53.18 (1351)	15.02 (382)	23.75 (603)	33.00 (838)	0.75 (19)	6.80 (173)	20.90 (531)	22.25 (565)	13.98 (355)	12.50 (318)	6.30 (160)	1064 (482.6)
284TS	25.00 (635)	70.00 (1778)	53.49 (1359)	15.02 (382)	23.75 (603)	33.00 (838)	0.75 (19)	6.80 (173)	21.24 (539)	24.25 (616)	13.98 (355)	12.50 (318)	6.30 (160)	1191 (540.2)
286TS	25.00 (635)	70.00 (1778)	53.49 (1359)	15.02 (382)	23.75 (603)	33.00 (838)	0.75 (19)	6.80 (173)	21.24 (539)	24.25 (616)	13.98 (355)	12.50 (318)	6.30 (160)	1191 (540.2)
324TS	25.00 (635)	70.00 (1778)	55.49 (1409)	15.02 (382)	23.75 (603)	33.00 (838)	0.75 (19)	6.80 (173)	22.52 (572)	27.13 (689)	13.98 (355)	12.50 (318)	6.30 (160)	1539 (698.1)
326TS	25.00 (635)	70.00 (1778)	55.49 (1409)	15.02 (382)	23.75 (603)	33.00 (838)	0.75 (19)	6.80 (173)	22.52 (572)	27.13 (689)	13.98 (355)	12.50 (318)	6.30 (160)	1539 (698.1)
364TS	25.00 (635)	70.00 (1778)	57.30 (1455)	16.27 (413)	23.75 (603)	33.00 (838)	0.75 (19)	6.80 (173)	24.77 (629)	28.88 (734)	13.98 (355)	12.50 (318)	6.30 (160)	2093 (949.4)
365TS	25.00 (635)	70.00 (1778)	57.30 (1455)	16.27 (413)	23.75 (603)	33.00 (838)	0.75 (19)	6.80 (173)	24.77 (629)	28.88 (734)	13.98 (355)	12.50 (318)	6.30 (160)	2093 (949.4)
404TS	25.00 (635)	70.00 (1778)	61.31 (1557)	16.27 (413)	23.75 (603)	33.00 (838)	0.75 (19)	6.80 (173)	25.77 (655)	28.84 (733)	13.98 (355)	12.50 (318)	6.30 (160)	2106 (955.3)
405TS	25.00 (635)	70.00 (1778)	61.31 (1557)	16.27 (413)	23.75 (603)	33.00 (838)	0.75 (19)	6.80 (173)	25.77 (655)	28.84 (733)	13.98 (355)	12.50 (318)	6.30 (160)	2106 (955.3)
444TS	25.00 (635)	70.00 (1778)	69.62 (1768)	16.27 (413)	23.75 (603)	33.00 (838)	0.75 (19)	6.80 (173)	26.77 (680)	31.56 (802)	13.98 (355)	12.50 (318)	6.30 (160)	2725 (1236.0)
445TS	25.00 (635)	70.00 (1778)	69.62 (1768)	16.27 (413)	23.75 (603)	33.00 (838)	0.75 (19)	6.80 (173)	26.77 (680)	31.56 (802)	13.98 (355)	12.50 (318)	6.30 (160)	2725 (1236.0)
447TS	25.00 (635)	80.00 (2032)	76.40 (1941)	16.27 (413)	23.75 (603)	38.00 (965)	0.75 (19)	6.80 (173)	27.96 (710)	31.87 (809)	13.98 (355)	12.50 (318)	6.30 (160)	2955 (1340.4)
449TS	25.00 (635)	80.00 (2032)	84.02 (2134)	16.27 (413)	23.75 (603)	38.00 (965)	0.75 (19)	6.80 (173)	28.28 (718)	32.55 (827)	13.98 (355)	12.50 (318)	6.30 (160)	2955 (1340.4)

TORONTO
+1 416 755 2291

BUFFALO
+1 716 693 8813

BIRMINGHAM
+44 (0) 8444 145 145

MANCHESTER
+44 (0) 8444 145 145

BANGALORE
+91 (0) 80 4906 3555

SHANGHAI
+86 21 3756 6696

SÃO PAULO
+55 11 4781 5500

ARMSTRONG FLUID TECHNOLOGY
ESTABLISHED 1934

ARMSTRONGFLUIDTECHNOLOGY.COM