

END SUCTION BARE SHAFT PUMP | SERIES 40PF | SUBMITTAL

File No: F40.60
Date: SEPTEMBER 18, 2024
Supersedes: F40.60
Date: MARCH 19, 2020

Job: _____ Representative: _____
 _____ Order no.: _____ Date: _____
 Engineer: _____ Submitted by: _____ Date: _____
 Contractor: _____ Approved by: _____ Date: _____

PUMP DESIGN DATA

Flow: _____
Head: _____

TAG/REF: _____

OTHER: _____

FIRE PUMP LISTING

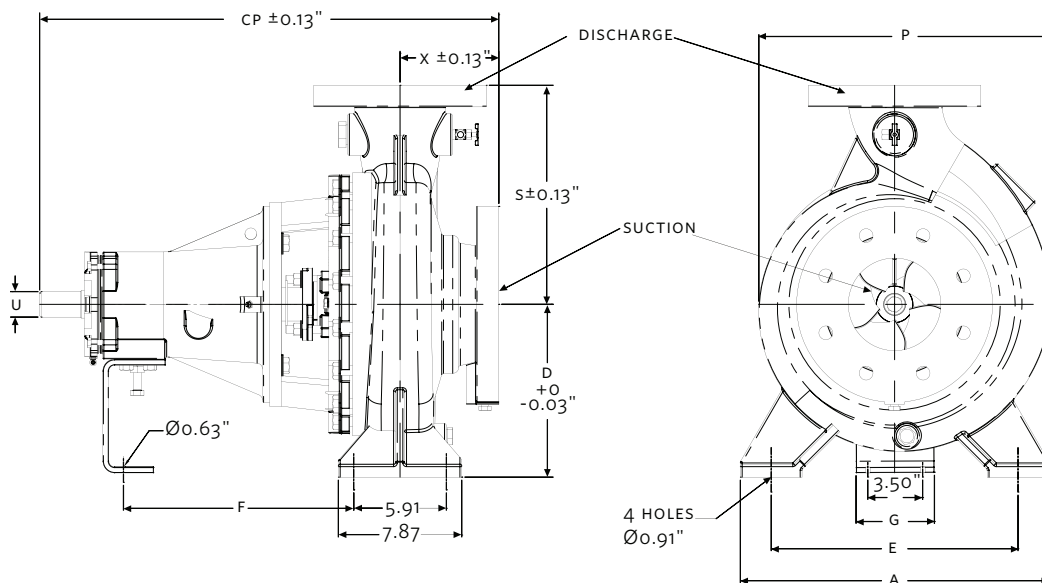
UL ULC FM

MOTOR DATA

HP: _____ RPM: _____
Bat. Voltage: _____ Tank size: _____

FLANGE RATING

- ANSI 125# STD
- ANSI 125# SUCTION
250# DISCHARGE^①
- ANSI 250# SUCTION
250# DISCHARGE
- PN16



NOTE:

① Std. discharge flange thickness ANSI 250#

SUBMITTAL

End suction
Bare shaft pump

2

PUMP	FLANGE		DIMENSIONS in inches (mm)											WEIGHT in lbs (kgs)
	SUCTION	DISCHARGE	A	CP	D	E	F	G	P	S	U	X	W	
4×3×8.5FM	4 (102)	3 (76)	8.19 (208)	23.50 (597)	8.25 (210)	7.00 (178)	12.55 (319)	5.00 (127)	12.63 (321)	11.00 (279)	1.12 (29)	4.00 (102)	19.55 (496)	210 (95.2)
5×4×11.5FM	5 (127)	4 (102)	12.75 (324)	28.63 (727)	10.00 (254)	9.75 (248)	17.14 (435)	5.00 (127)	17.00 (432)	12.88 (327)	1.63 (41)	6.00 (152)	22.63 (575)	330 (149.7)
8×5×11.5FM	8 (203)	5 (127)	12.75 (324)	28.56 (725)	10.00 (254)	9.75 (248)	17.14 (435)	5.00 (127)	18.38 (467)	14.00 (356)	1.63 (41)	6.00 (152)	22.56 (573)	385 (174.6)
4×3×13FM/NF	4 (102)	3 (76)	13.25 (337)	23.50 (597)	10.00 (254)	9.75 (248)	14.44 (367)	5.00 (127)	18.00 (457)	12.50 (318)	1.63 (41)	4.00 (102)	19.50 (495)	320 (145.1)
6×5×13FM	6 (152)	5 (127)	19.69 (500)	29.29 (744)	11.00 (279)	15.75 (400)	14.57 (370)	5.00 (127)	18.63 (473)	13.98 (355)	1.63 (41)	6.30 (160)	22.99 (584)	420 (190.5)
8×6×13FM	8 (203)	6 (152)	21.65 (550)	29.61 (752)	12.40 (315)	17.72 (450)	14.88 (378)	5.00 (127)	19.95 (507)	15.75 (400)	1.63 (41)	6.30 (160)	23.31 (592)	460 (208.7)

TORONTO

+1 416 755 2291

BUFFALO

+1 716 693 8813

DROITWICH SPA

+44 121 550 5333

MANCHESTER

+44 161 223 2223

BANGALORE

+91 80 4906 3555

SHANGHAI

+86 21 5237 0909

BEIJING

+86 21 5237 0909

SÃO PAULO

+55 11 4785 1330

LYON

+33 4 20 10 26 21

DUBAI

+971 4 887 6775

JIMBOLIA

+40 256 360 030

FRANKFURT

+49 6173 999 77 55

ARMSTRONG FLUID TECHNOLOGY®
ESTABLISHED 1934

ARMSTRONGFLUIDTECHNOLOGY.COM