

VERTICAL IN-LINE FIRE PUMP | 2 x 1.5 LA-F | SUBMITTAL

File No: F43.103A
Date: AUGUST 10, 2016
Supersedes: F43.103A
Date: JULY 3, 2002

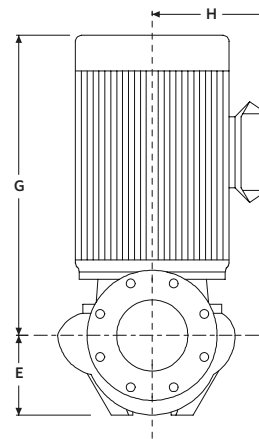
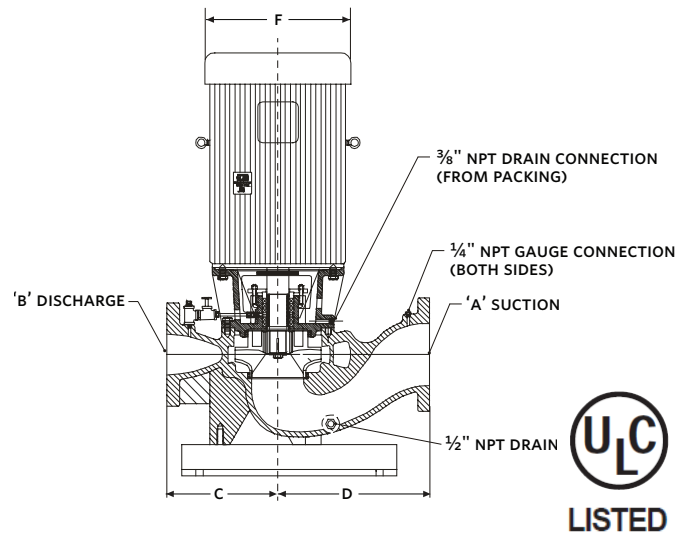
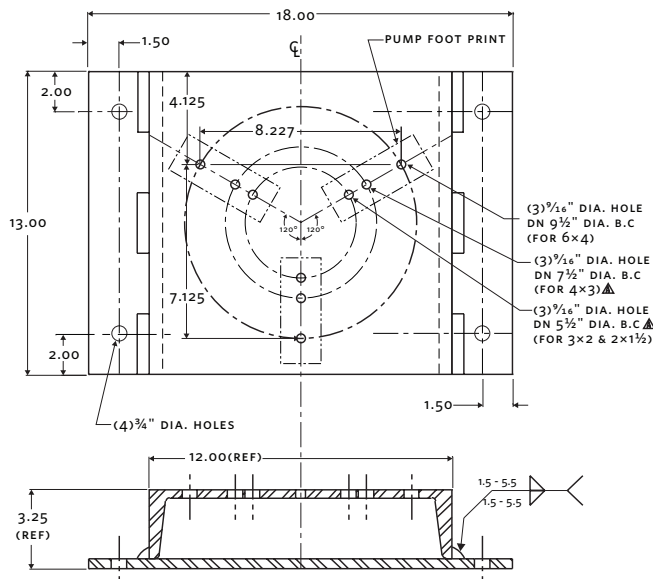
Job: _____ Representative: _____
 _____ Order no.: _____ Date: _____
 Engineer: _____ Submitted by: _____ Date: _____
 Contractor: _____ Approved by: _____ Date: _____

FIRE PUMP LISTING

- UL
- ULC
- FM
- Dimensions are not to be used for construction purposes unless certified.
- Data subject to change without notice.

FLANGE RATING

- ANSI 125# STD
- ANSI 250#
- ANSI 125# SUCTION
- 250# DISCHARGE
- 250# Flanged Shown**



SUBMITTAL
2×1.5LA-F

Vertical In-line fire pump
Series LAF

2

PUMP DATA

PUMP	DIMENSIONS inches (mm)					WEIGHT
MODEL	A	B	C	D	E	lbs (kgs)
2×1.5LA-F	2.00 (51)	1.50 (38)	8.00 (203)	9.00 (229)	4.25 (108)	119 (54.0)

UL LISTED MOTOR DATA

MOTOR	DIMENSIONS inches (mm)			WEIGHT
FRAME	F MAX	G MAX	H MAX	lbs (kgs)
182JM	10.38 (264)	22.94 (583)	7.50 (191)	86 (39.0)
182JP	10.38 (264)	21.14 (537)	7.50 (191)	86 (39.0)
184JM	10.38 (264)	22.94 (583)	7.50 (191)	86 (39.0)
184JP	10.38 (264)	21.14 (537)	7.50 (191)	86 (39.0)
213JM	12.13 (308)	28.28 (718)	9.94 (252)	136 (61.7)
213JP	12.13 (308)	26.03 (661)	8.25 (210)	136 (61.7)
215JM	12.13 (308)	26.03 (661)	8.25 (210)	136 (61.7)
215JP	12.13 (308)	26.03 (661)	8.25 (210)	158 (71.7)
254JM	12.13 (308)	28.28 (718)	9.94 (252)	204 (92.5)
254JP	12.13 (308)	26.81 (681)	9.94 (252)	204 (92.5)
256JM	12.13 (308)	28.28 (718)	9.94 (252)	235 (106.6)
256JP	12.13 (308)	26.81 (681)	9.94 (252)	235 (106.6)
284JP	14.00 (356)	27.13 (689)	10.25 (260)	279 (126.6)
286JP	14.00 (356)	29.06 (738)	14.25 (362)	279 (126.6)
324JP	16.00 (406)	29.06 (738)	13.00 (330)	424 (192.3)

TORONTO
+1 416 755 2291

BUFFALO
+1 716 693 8813

BIRMINGHAM
+44 (0) 8444 145 145

MANCHESTER
+44 (0) 8444 145 145

BANGALORE
+91 (0) 80 4906 3555

SHANGHAI
+86 21 3756 6696

SÃO PAULO
+55 11 4781 5500

ARMSTRONG FLUID TECHNOLOGY
ESTABLISHED 1934

ARMSTRONGFLUIDTECHNOLOGY.COM