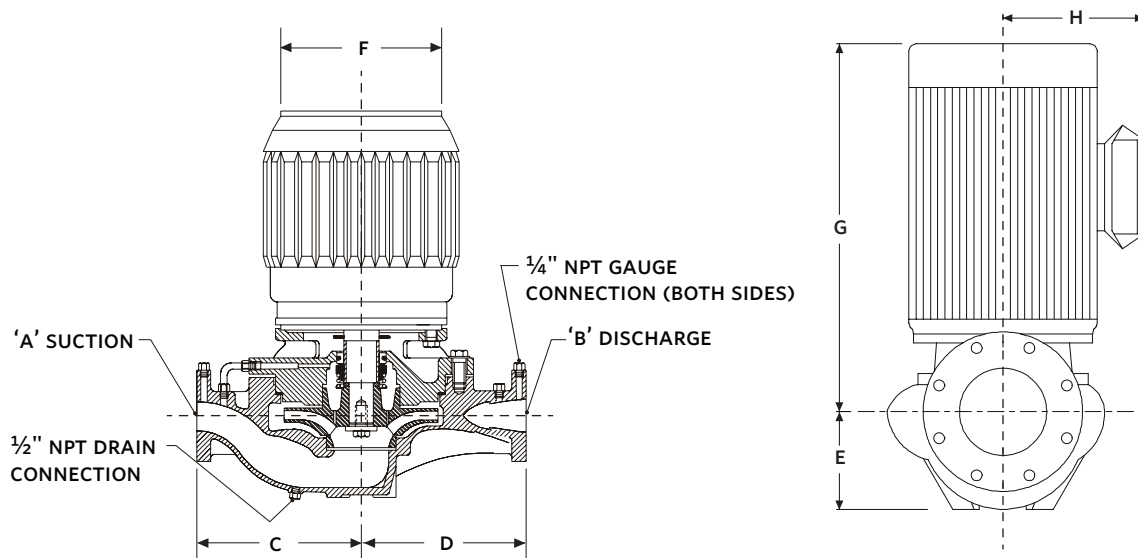


VERTICAL IN-LINE FIRE PUMP 43MF | 5 x 5 x 8 | SUBMITTAL

File No: F43.103H
Date: MARCH 19, 2020
Supersedes: F43.103H
Date: AUGUST 10, 2016

Job: _____ Representative: _____
 _____ Order no.: _____ Date: _____
 Engineer: _____ Submitted by: _____ Date: _____
 Contractor: _____ Approved by: _____ Date: _____



PUMP DATA

PUMP	DIMENSIONS inches (mm)					WEIGHT
MODEL	A	B	C	D	E	lbs (kgs)
43MF 5x5x8	5.00 (127)	5.00 (127)	13.00 (330)	12.00 (305)	7.94 (202)	240 (108.9)



UL LISTED MOTOR DATA

MOTOR	DIMENSIONS inches (mm)			WEIGHT
FRAME	F MAX	G MAX	H MAX	lbs (kgs)
213JP	12.13 (308)	25.41 (645)	8.25 (210)	136 (61.7)
215JP	12.13 (308)	25.41 (645)	8.25 (210)	136 (61.7)
254JM	12.13 (308)	24.78 (629)	9.94 (252)	204 (92.5)
256JM	12.13 (308)	24.78 (629)	9.94 (252)	204 (92.5)
284JM	11.50 (292)	27.65 (702)	10.81 (275)	279 (126.6)
286JM	11.50 (292)	27.65 (702)	10.81 (275)	279 (126.6)
324JM	11.50 (292)	28.90 (734)	10.81 (275)	373 (169.2)
326JM	11.50 (292)	28.90 (734)	10.81 (275)	373 (169.2)

FLANGE RATING

- ANSI 125# STD
- ANSI 250# STD

- Dimensions are not to be used for construction purposes unless certified.
- Data subject to change without notice.

TORONTO

23 BERTRAND AVENUE
TORONTO, ONTARIO
CANADA, M1L 2P3
+1 416 755 2291

BUFFALO

93 EAST AVENUE
NORTH TONAWANDA, NEW YORK
U.S.A., 14120-6594
+1 716 693 8813

BIRMINGHAM

HEYWOOD WHARF, MUCKLOW HILL
HALESOWEN, WEST MIDLANDS
UNITED KINGDOM, B62 8DJ
+44 (0) 8444 145 145

MANCHESTER

WOLVERTON STREET
MANCHESTER
UNITED KINGDOM, M11 2ET
+44 (0) 8444 145 145

BANGALORE

#59, FIRST FLOOR, 3RD MAIN
MARGOSA ROAD, MALLESWARAM
BANGALORE, INDIA, 560 003
+91 (0) 80 4906 3555

SHANGHAI

UNIT 903, 888 NORTH SICHUAN RD.
HONGKOU DISTRICT, SHANGHAI
CHINA, 200085
+86 (0) 21 5237 0909

SÃO PAULO

RUA JOSÉ SEMIÃO RODRIGUES AGOSTINHO,
1370 GALPÃO 6 EMBU DAS ARTES
SAO PAULO, BRAZIL
+55 11 4785 1330

LYON

93 RUE DE LA VILLETTE
LYON, 69003 FRANCE
+33 (0) 420 102 625

DUBAI

JAFZA VIEW 19, OFFICE 402
P.O.BOX 18226 JAFZA,
DUBAI - UNITED ARAB EMIRATES
+971 4 887 6775

MANNHEIM

DYNAMOSTRASSE 13
68165 MANNHEIM
GERMANY
+49 (0) 621 3999 9858

ARMSTRONG FLUID TECHNOLOGY
ESTABLISHED 1934

ARMSTRONGFLUIDTECHNOLOGY.COM

**SAFETY
HAS A
HOME**