

## VERTICAL IN-LINE FIRE PUMP 43PF | 4 x 3 x 9 PF | SUBMITTAL

File No: F43.103P  
Date: AUGUST 05, 2024  
Supersedes: F43.103P  
Date: MARCH 01, 2023

Job: \_\_\_\_\_ Representative: \_\_\_\_\_  
 \_\_\_\_\_ Order no.: \_\_\_\_\_ Date: \_\_\_\_\_  
 Engineer: \_\_\_\_\_ Submitted by: \_\_\_\_\_ Date: \_\_\_\_\_  
 Contractor: \_\_\_\_\_ Approved by: \_\_\_\_\_ Date: \_\_\_\_\_

### PUMP DESIGN DATA

Flow: \_\_\_\_\_  
 Head: \_\_\_\_\_

ENCLOSURE: \_\_\_\_\_  
 \_\_\_\_\_

### FIRE PUMP LISTING

- UL
- ULC
- FM

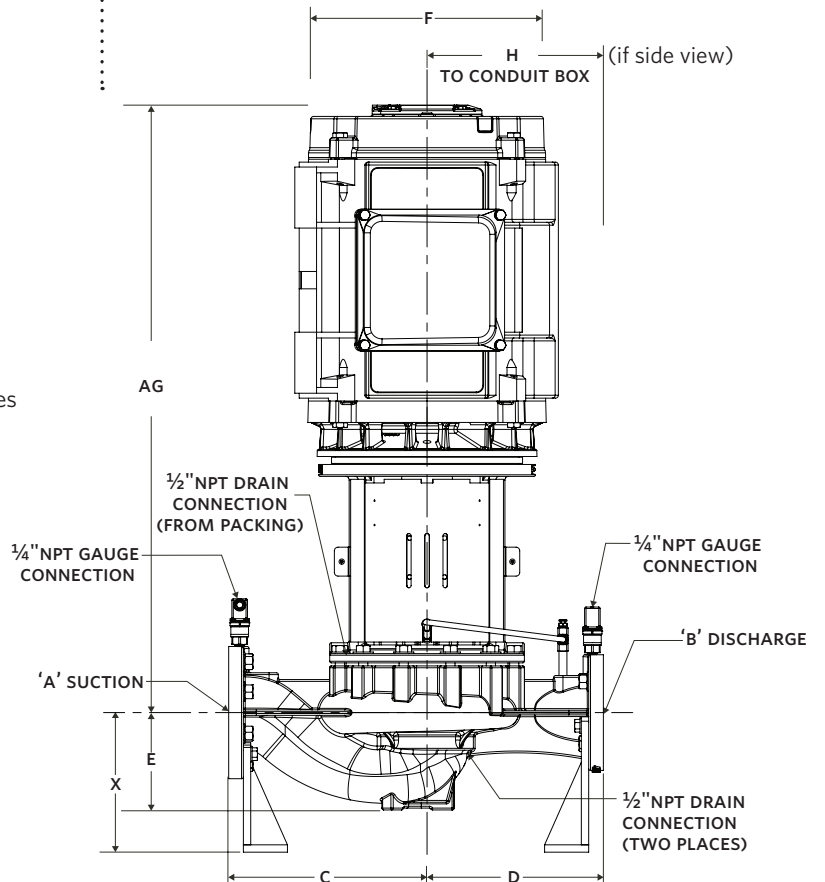
### FLANGE RATING

- ANSI 125# STD
- ANSI 250# STD
- PN 16

- Dimensions are not to be used for construction purposes unless certified.
- Data subject to change without notice.

### MOTOR DATA

HP: \_\_\_\_\_ RPM: \_\_\_\_\_  
 Volt: \_\_\_\_\_ ph: \_\_\_\_\_ Hz: \_\_\_\_\_



SUBMITTAL  
4×3×9 PF

Vertical In-line fire pump  
Series 43PF

2

## PUMP DATA

PUMP	DIMENSIONS inches (mm)						WEIGHT
MODEL	A	B	C	D	E	X	lbs (kgs)
43PF 4×3×9 PF	4.00 (102)	3.00 (76)	13.50 (343)	12.00 (305)	6.60 (168)	9.50 (241)	300 (136.1)

## UL LISTED MOTOR DATA

MOTOR	DIMENSIONS inches (mm)				WEIGHT
FRAME	F MAX	AG MAX	H MAX	lbs (kgs)	
254TC	13.38 (340)	34.04 (865)	9.94 (252)	160 (72.57)	
256TC	13.38 (340)	34.04 (865)	9.94 (252)	160 (72.57)	
284TSC	13.38 (340)	37.23 (946)	11.75 (298)	290 (131.54)	
286TSC	13.38 (340)	37.23 (946)	11.75 (298)	290 (131.54)	
324TSC	14.13 (359)	38.40 (975)	12.69 (322)	385 (174.60)	
326TSC	14.13 (359)	38.40 (975)	12.69 (322)	460 (208.65)	
364TSC	17.63 (448)	41.41 (1052)	16.19 (411)	651 (295.30)	

### TORONTO

+1 416 755 2291

### BUFFALO

+1 716 693 8813

### DROITWICH SPA

+44 121 550 5333

### MANCHESTER

+44 161 223 2223

### BANGALORE

+91 80 4906 3555

### SHANGHAI

+86 21 5237 0909

### BEIJING

+86 21 5237 0909

### SÃO PAULO

+55 11 4785 1330

### LYON

+33 4 20 10 26 21

### DUBAI

+971 4 887 6775

### JIMBOLIA

+40 256 360 030

### FRANKFURT

+49 6173 999 77 55

ARMSTRONG FLUID TECHNOLOGY®  
ESTABLISHED 1934

ARMSTRONGFLUIDTECHNOLOGY.COM