

VERTICAL TURBINE DIESEL FIRE PUMP | 750 GPM WITH 8×20 FABRICATED STEEL HEAD | SUBMITTAL

File No: F51.610
Date: JULY 15, 2013
Supersedes: F51.610
Date: AUGUST 15, 2005

Job: _____ Representative: _____
 _____ Order no.: _____ Date: _____
 Engineer: _____ Submitted by: _____ Date: _____
 Contractor: _____ Approved by: _____ Date: _____

Model: 8 × 12M VTF **Discharge head:** 8 × 20 F

RPM: 1770 Water lube

750 GPM: _____ T.D.H

- FM UL NFPA-20 only
- Approval Construction
- Engine model: _____
- Ragd model: _____
- Shaft model: _____
- Controller model: _____

NOTES

- Dimension based on randolph gear drive. May vary when driver adaptor is required.
- Dimensions are in inches unless otherwise indicated.
- Engine to base mounting and cooling loop to be field installed and plumbed.
- Engine oil & anti freeze/coolant may not be included.
- Gear shipped filled with oil. Check level before installation.
- Refer dwg. no. _____ for Engine dimensions.
- Not to be used for construction unless certified.

PRESS RATE	DISCHARGE FLANGE INCH (mm)					
	DA	DC	DD	DF	DG	DK
300 #	15.00 (381)	13.00 (330)	13.00 (330)	8.00 (203)	1.00 (25)	1.63 (41)

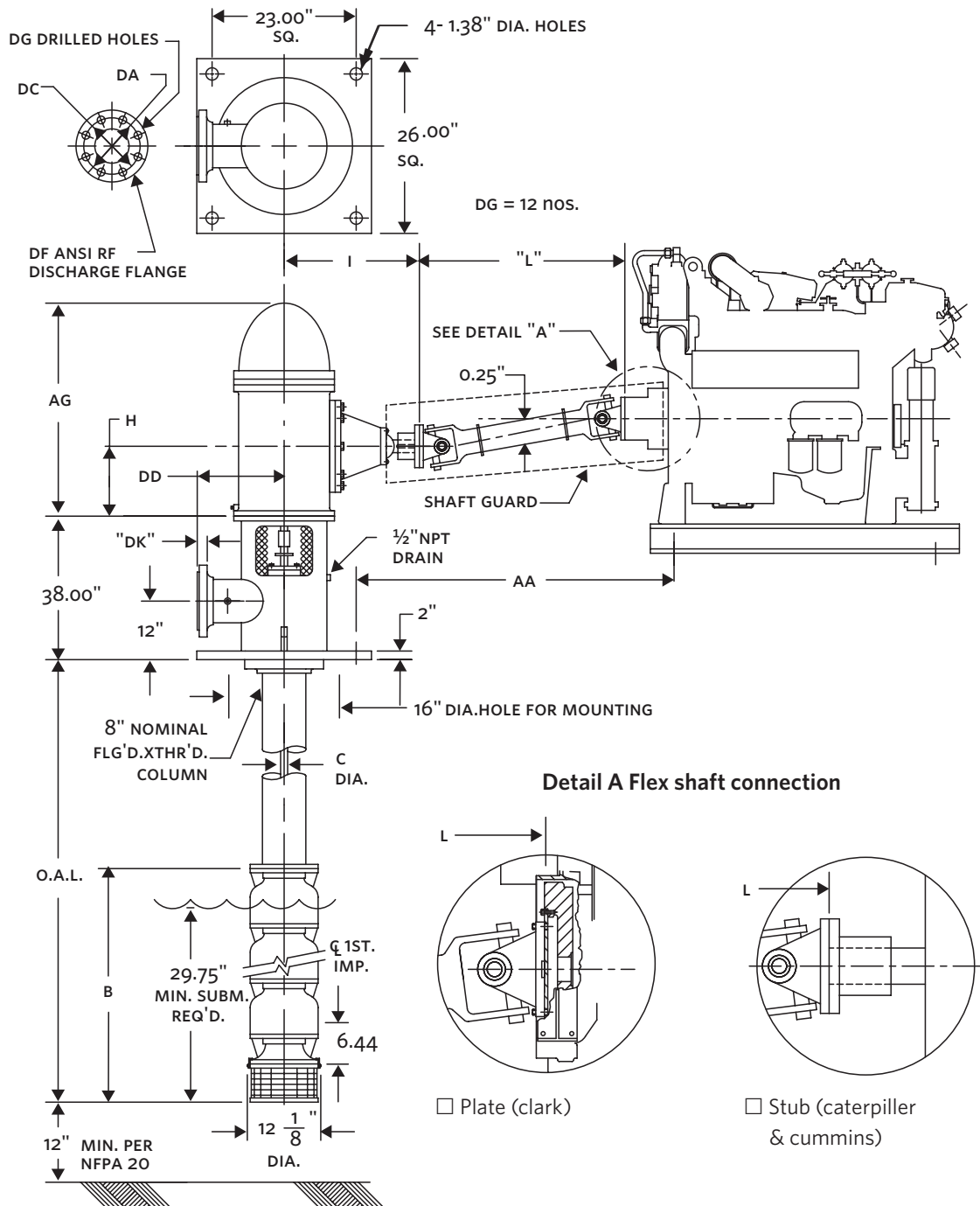


NO OF STG'S	DISCHARGE SIZE	RATING	RAGD	AG*	B	C	H*	I*	L	AA
	INCH (mm)		HP	INCH (mm)						
11	8.00 (203)	300	250	34.00 (863)	117.88 (2994)	1.69 (43)	13.75 (349)	21.75 (553)	—	—
12	8.00 (203)	300	250	34.00 (863)	127.25 (3232)	1.69 (43)	13.75 (349)	21.75 (553)	—	—
12	8.00 (203)	300	300	34.00 (863)	127.25 (3232)	1.69 (43)	13.75 (349)	21.75 (553)	—	—
13	8.00 (203)	300	250	34.00 (863)	136.63 (3470)	1.69 (43)	13.75 (349)	21.75 (553)	—	—
13	8.00 (203)	300	300	34.00 (863)	136.63 (3470)	1.69 (43)	13.75 (349)	21.75 (553)	—	—
14	8.00 (203)	300	300	34.00 (863)	145.00 (3683)	1.94 (49)	13.75 (349)	21.75 (553)	—	—
15	8.00 (203)	300	300	34.00 (863)	155.38 (3947)	1.94 (49)	13.75 (349)	21.75 (553)	—	—
15	8.00 (203)	300	350	36.00 (914)	155.38 (3947)	1.94 (49)	13.75 (349)	21.75 (553)	—	—
16	8.00 (203)	300	350	36.00 (914)	164.75 (4185)	1.94 (49)	13.75 (349)	21.75 (553)	—	—

* Dimension based on randolph gear drive. May vary when driver adaptor is required.

SUBMITTAL
750 GPM

Vertical turbine diesel Fire pump
750 GPM with 8 × 20 Fabricated steel head



TORONTO
+1 416 755 2291

BUFFALO
+1 716 693 8813

BIRMINGHAM
+44 (0) 8444 145 145

MANCHESTER
+44 (0) 8444 145 145

BANGALORE
+91 (0) 80 4906 3555

SHANGHAI
+86 21 3756 6696

ARMSTRONG FLUID TECHNOLOGY
ESTABLISHED 1934

ARMSTRONGFLUIDTECHNOLOGY.COM