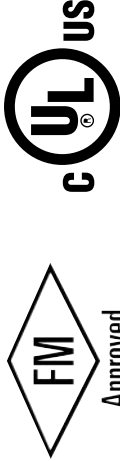




## 250 gpm with 4 x 10 Cast Iron Head

## SUBMITTAL

VERTICAL TURBINE ELECTRIC  
 FIRE PUMP



250 G.P.M. \_\_\_\_\_ T.D.H.  
 FM  UL  NFPA-20 ONLY  
 APPROVAL  CONSTRUCTION

MODEL 4x8H VTF  
 4 x 10 "A" DISCHARGE HEAD  
 1770 R.P.M. WATER LUBE

MOTOR \_\_\_\_\_ HP \_\_\_\_\_  
 VOLT \_\_\_\_\_ PH \_\_\_\_\_ HZ \_\_\_\_\_  
 CONTROLLER MODEL \_\_\_\_\_

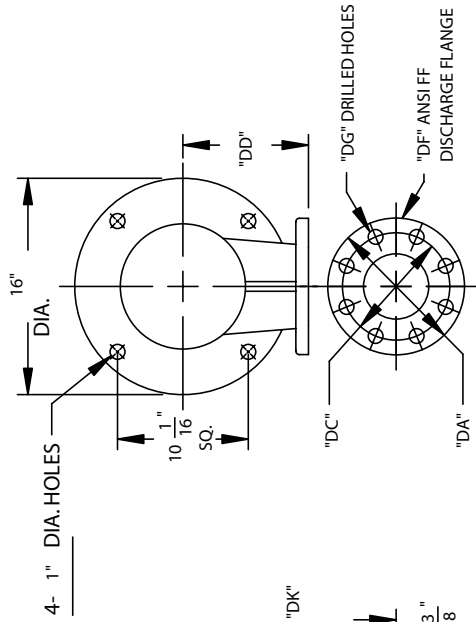
JOB NAME \_\_\_\_\_  
 ITEM NO. \_\_\_\_\_

CUSTOMER \_\_\_\_\_

ORDER NO. \_\_\_\_\_  
 MFG. REP. \_\_\_\_\_

DWG. NO. \_\_\_\_\_  
 SERIAL NO. \_\_\_\_\_

NOT TO BE USED  
 FOR CONSTRUCTION  
 UNLESS CERTIFIED  
 By: \_\_\_\_\_ Date: \_\_\_\_\_



PRESS RATE	DISCHARGE FLANGE							
	DA	DC	DD	DF	DG	DK		
125 #	9	7 1/2	8 5/8	4	(8) 3/4	15/16		
250 #	10	7 7/8	8 15/16	4	(8) 7/8	1 1/4		

NO. OF STG'S.	DISCH. SIZE & RATING	AG	B	C
5	4/125#	26 3/4	53 1/2	1
6	"	30 7/16	60 3/4	1
7	"	30 7/16	68	1
8	"	30 7/16	75 1/4	1
9	"	30 7/16	82 1/2	1
10	"	30 7/16	89 3/4	1
11	"	36 15/16	97	1
12	4/250#	36 15/16	97	1
13	"	36 15/16	104 1/4	1
14	"	36 15/16	111 1/2	1
	"	36 15/16	118 3/4	1

**NOTES:**

- 1 DIMENSION BASED ON MOTOR HEIGHT OF A STANDARD WP-HOLLOW SHAFT MOTOR. SUBJECT TO CHANGE DEPENDING ON MOTOR MFG. AND/OR THE USE OF A MOTOR ADAPTOR.
- 2 DIMENSIONS ARE IN INCHES UNLESS OTHERWISE INDICATED.
- 3 WHEN MOTOR IS OIL LUBRICATED, OIL IS NOT FURNISHED. SEE OPERATION MANUAL FOR MANUFACTURER'S RECOMMENDATIONS.

