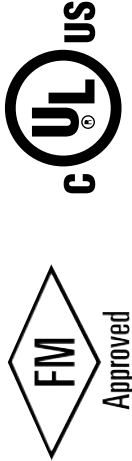


## 500 gpm with 6 x 12 Cast Iron Head

## SUBMITTAL

VERTICAL TURBINE ELECTRIC  
FIRE PUMP



500 G.P.M. T.D.H.  
 FM  UL  NFPA-20 ONLY  
 APPROVAL  CONSTRUCTION

MODEL 6x10H VTF  
 6 x 12 "A" DISCHARGE HEAD  
 1770 R.P.M. WATER LUBE

MOTOR \_\_\_\_\_ HP \_\_\_\_\_  
 VOLT \_\_\_\_\_ PH \_\_\_\_\_ HZ \_\_\_\_\_  
 CONTROLLER MODEL \_\_\_\_\_

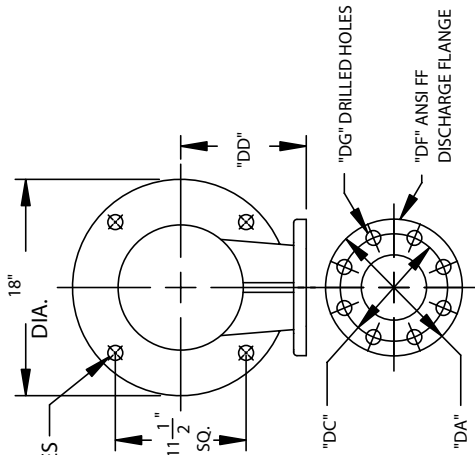
JOB NAME. \_\_\_\_\_  
 ITEM NO. \_\_\_\_\_

CUSTOMER \_\_\_\_\_

ORDER NO. \_\_\_\_\_  
 MFG. REP. \_\_\_\_\_

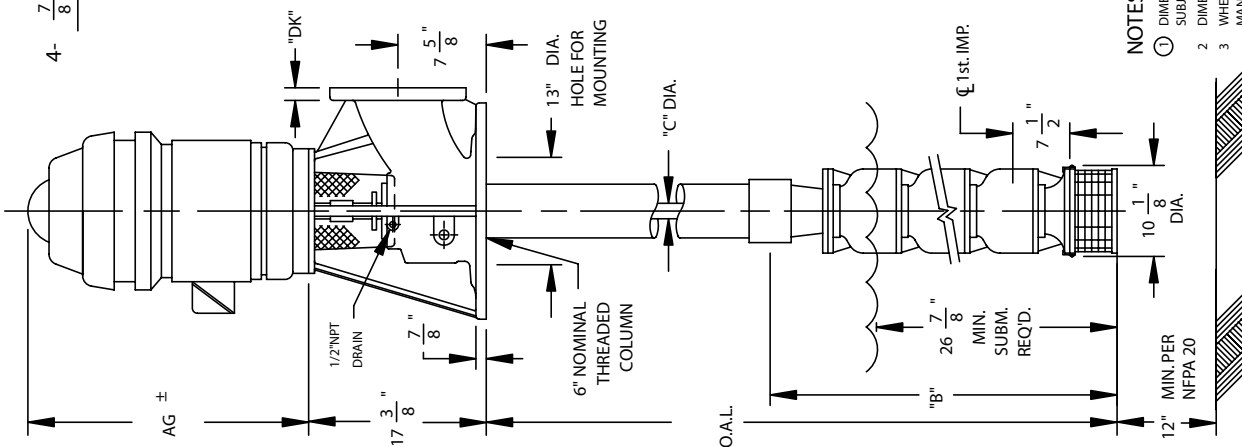
DWG. NO. \_\_\_\_\_  
 SERIAL NO. \_\_\_\_\_

NOT TO BE USED FOR CONSTRUCTION UNLESS CERTIFIED  
 By: \_\_\_\_\_ Date: \_\_\_\_\_



PRESS RATE	DISCHARGE FLANGE					
	DA	DC	DD	DF	DG	DK
125 #	11	9 1/2	10 1/4	6	(8) 7/8	1

NO. OF STG'S.	DISCH. SIZE & RATING	AG	B	C
6	"	36 15/16	71 15/16	1
7	"	40 1/4	80 7/16	1



**NOTES:**

- 1 DIMENSION BASED ON MOTOR HEIGHT OF A STANDARD WP-HOLLOW SHAFT MOTOR. SUBJECT TO CHANGE DEPENDING ON MOTOR MFG. AND/OR THE USE OF A MOTOR ADAPTOR.
- 2 DIMENSIONS ARE IN INCHES UNLESS OTHERWISE INDICATED.
- 3 WHEN MOTOR IS OIL LUBRICATED, OIL IS NOT FURNISHED. SEE OPERATION MANUAL FOR MANUFACTURER'S RECOMMENDATIONS.