

## 1500 gpm with 8 x 12 Cast Iron Head

## SUBMITTAL

VERTICAL TURBINE ELECTRIC  
 FIRE PUMP



1500 G.P.M. T.D.H. \_\_\_\_\_  
 FM  UL  NFPA-20 ONLY  
 APPROVAL  CONSTRUCTION

MODEL 8x12H VTF

8 x 12 "A" DISCHARGE HEAD  
 1770 R.P.M. WATER LUBE

MOTOR \_\_\_\_\_ HP \_\_\_\_\_  
 VOLT \_\_\_\_\_ PH \_\_\_\_\_ HZ \_\_\_\_\_  
 CONTROLLER MODEL \_\_\_\_\_

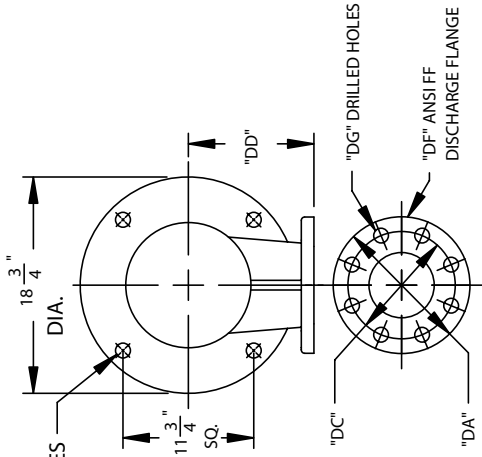
JOB NAME: \_\_\_\_\_  
 ITEM NO. \_\_\_\_\_

CUSTOMER \_\_\_\_\_

ORDER NO. \_\_\_\_\_  
 MFG. REP. \_\_\_\_\_

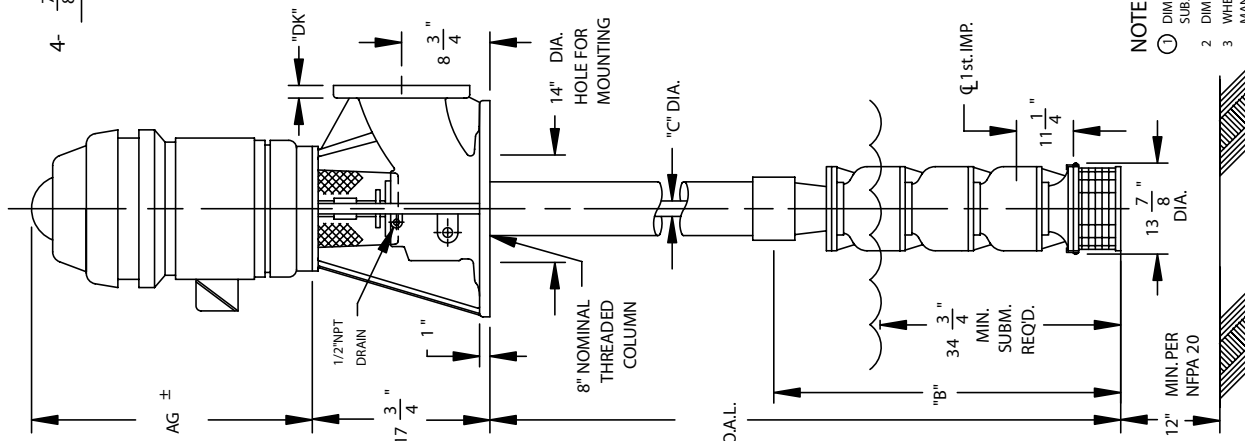
DWG. NO. \_\_\_\_\_  
 SERIAL NO. \_\_\_\_\_

NOT TO BE USED  
 FOR CONSTRUCTION  
 UNLESS CERTIFIED  
 By: \_\_\_\_\_ Date: \_\_\_\_\_



PRESS RATE	DISCHARGE FLANGE			
	DA	DC	DD	DF
125 #	13 1/2	11 3/4	10 1/2	8
			(8) 7/8	1 1/8

NO. OF STGS.	DISCH. SIZE & RATING	AG	B	C



**NOTES:**

- 1 DIMENSION BASED ON MOTOR HEIGHT OF A STANDARD WP-I HOLLOW SHAFT MOTOR. SUBJECT TO CHANGE DEPENDING ON MOTOR MFG. AND/OR THE USE OF A MOTOR ADAPTOR.
- 2 DIMENSIONS ARE IN INCHES UNLESS OTHERWISE INDICATED.
- 3 WHEN MOTOR IS OIL LUBRICATED, OIL IS NOT FURNISHED. SEE OPERATION MANUAL FOR MANUFACTURER'S RECOMMENDATIONS.