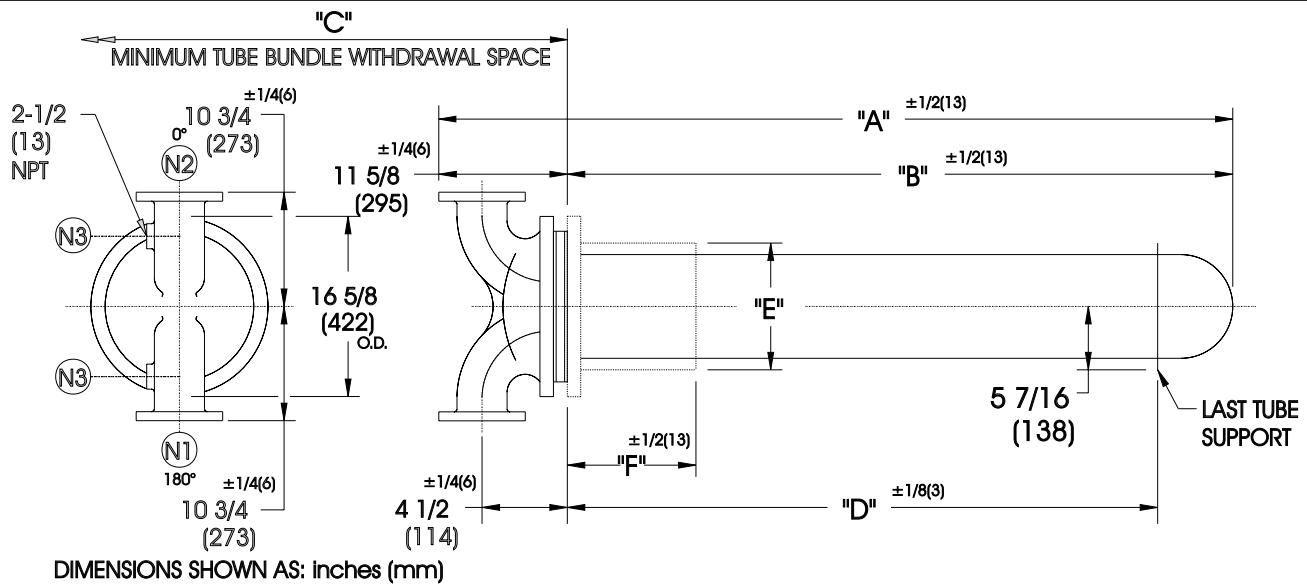


ARMSTRONG®



EXCHANGER SIZE	DIMENSIONS								NOZZLE SCHEDULE		
	"A"		"B"		"C"		"D"		(N1) INLET	4" FLG	(102)
	Inches	mm	Inches	mm	Inches	mm	Inches	mm	(N2) OUTLET	4" FLG	(102)
THW-1236-2-2	47-3/8	1203	35-3/4	908	38	965	24-5/16	618	(N3) DRAIN	1/2" NPT	(13)
THW-1242-2-2	53-3/8	1356	41-3/4	1060	44	1118	30-5/16	770	COLLAR ASSEMBLY		
THW-1248-2-2	59-3/8	1508	47-3/4	1213	50	1270	36-5/16	922		STANDARD	OVS. FOR STONE LINING
THW-1254-2-2	65-3/8	1661	53-3/4	1365	56	1422	42-5/16	1075	"E"	12-3/4 (324)	14 (356)
THW-1260-2-2	71-3/8	1813	59-3/4	1518	62	1575	48-5/16	1227	"F"	10 (254)	10-1/2 (267)
THW-1266-2-2	77-3/8	1965	65-3/4	1670	68	1727	54-5/16	1380	DESIGN CONDITIONS		
THW-1272-2-2	83-3/8	2118	71-3/4	1822	74	1880	60-5/16	1532		TUBES	
THW-1278-2-2	89-9/8	2270	77-3/4	1975	80	2032	66-5/16	1684	DESIGN PRESSURE	150 PSIG	1034 KPa
THW-1284-2-2	95-3/8	2423	83-3/4	2127	86	2184	72-5/16	1837	DESIGN TEMPERATURE	300 F	149 C
THW-1290-2-2	101-3/8	2575	89-3/4	2280	92	2337	78-5/16	1989	M.D.M.T.	35 F	1.7 C
THW-1296-2-2	107-3/8	2727	95-3/4	2432	98	2489	84-5/16	2142	HYD. TEST PRESSURE	300 PSIG	2068 KPa
THW-12102-2-2	113-3/8	2880	101-3/4	2584	104	2642	90-5/16	2294	NOTES:		
THW-12108-2-2	119-9/8	3032	107-3/4	2737	110	2794	96-5/16	2446	1. COLLAR ASSEMBLY SUPPLIED SEPARATELY.		
THW-12114-2-2	125-3/8	3185	113-3/4	2889	116	2946	102-5/16	2599	2. FABRICATED TO ASME CODE SECTION VIII DIVISION 1 AND LATEST ADDENDA.		
THW-12120-2-2	131-3/8	3337	119-3/4	3042	122	3099	108-5/16	2751	3. DRAWING IS NOT TO SCALE.		
THW-12126-2-2	137-3/8	3489	125-3/4	3194	128	3251	114-5/16	2904	4. ALL DIMN'S 1/8 (3) UNLESS OTHERWISE SHOWN.		
THW-12132-2-2	143-3/8	3642	131-3/4	3346	134	3404	120-5/16	3056	5. DIMENSIONS SHOWN AS: In.(mm)		
THW-12138-2-2	149-3/8	3794	137-3/4	3499	140	3556	126-5/16	3208	CUSTOMER:		
THW-12144-2-2	155-3/8	3947	143-3/4	3651	146	3708	132-5/16	3361	LOCATION:		
THW-12150-2-2	161-3/8	4099	149-3/4	3804	152	3861	138-5/16	3513	ENGINEER :		
THW-12156-2-2	167-3/8	4251	155-3/4	3956	158	4013	144-5/16	3666	ORDER No.:		
THW-12162-2-2	173-3/8	4404	161-3/4	4108	164	4166	150-5/16	3818	PROJECT/JOB:		
									LOCATION:		
									TAG:		
									QUOTE #		

TITLE	G.A. 150 LB. TANK HEATERS				ARMSTRONG				NUMBER	Thw-12-2P-2		REV.
DATE : 24/05/95	BY : D.C.R	TORONTO - CANADA	MONTREAL - CANADA	BUFFALO - N. Y.	COLCHESTER - U.K.	TEL : (416) 755-2291	TEL : (514) 421-2424	TEL : (716) 693-8813	TEL : (44) 120-657-9491			